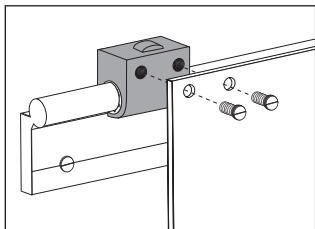


# Linear guide system Drylin® W

## WJRM

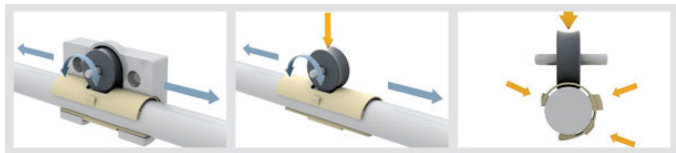
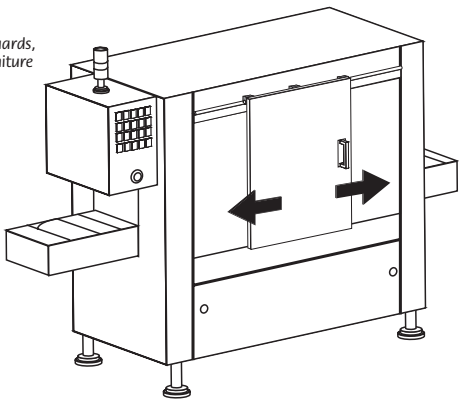
## Hybrid bearings

- Drylin W hybrid bearings offer a unique combination of sliding and rolling movement. Depending on the mounting arrangement used, the use of maintenance free rollers reduce the driving force required. Any shear forces or shock forces are absorbed by the bearing. This hybrid bearing is ideally suited for manual adjustments especially in the applications such as door adjustments.
- Low driving force required, coefficient of friction 0.04 to 0.05 $\mu$
- Highly cost effective solution
- Can be used with any of 7 profiles rails such as WS10, WS16 and WS20



### Application

- Adjustable doors, machine guards, simple handling systems, furniture



**New**

# Linear guide system Drylin® W

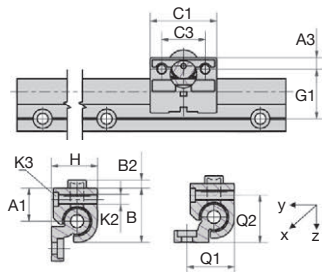
Sizes 10-16-20

**WJRM**

- **Material :**  
Zamack  
Liner manufactured from iglidur J

**Advantages**

- No lubrication required
- Small size
- Lightweight

**NEW!****DISCOUNTS**

Qty	1+	6+	20+
Disc	Pri. -10%	On request	

Part number	Static load (W)	Dynamic load capacity for a total travel distance of (km)			F <sub>xv</sub> Max (N.m/s)
		10 (N)	100 (N)	200 (N)	
WJRM01-10	250	250	90	50	50
WJRM01-16	400	400	140	70	80
WJRM01-20	550	550	200	100	80

Part number	A1	A3	B	B2	C1	C3	G1	H	K2	K3	Q1	Q2	Weight (g)	Price each 1 to 5
WJRM01-10	16,5	6,5	26	2,5	35	22	27	18	M6	M5	-	-	46	19,99 €
WJRM01-16	25	9	34,5	5	48	30	33	27	M8	M6	32	28	131	43,67 €
WJRM01-20	30	9	42,5	6	52	34	38	36	M8	M6	37	37	232	50,98 €

Dimensions in mm

## Altri prodotti...



GET-AL

Giunto elastico alluminio serie eco., Alluminio



BMM

Manopola, zigrinata



PSG055

Ingranaggio dritto di precisione, Inox 316



RHTtcss

Ruota alte temperature, fino a 200kg



HW\_HT

Guida su semi-binari, Binario



J52

Riduttore coassiale a treni paralleli, da 0.27 a 0.90 - a treni para...



PTR

Pignone tendicatena, Per applicazioni correnti



BAG

Anello di bloccaggio in acciaio, Acciaio



UTKswrr

Guida lineare Utilitrack®, Profilo



MDR

Grillo con chiodo ad occhio, Acciaio



M1

Coppia ruota e vite senza fine, Acciaio



BLH30

Rinvio angolare a L, da 1.32 a 4.40 Nm

## Prodotti correlati



WS10

Guida modulabile Drylin® W, Binario



WS16

Binario Drylin® W, Binario



WS20

Binario Drylin® W, Binario