

- Tensioner for single chain**- Materials:**

Housing and column: polyamide reinforced with 30% glass fibre

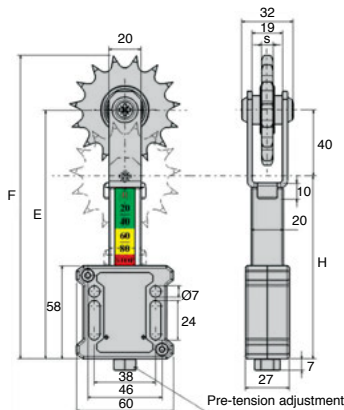
Screws and springs: stainless steel 304L

Steel version: bracket and sprocket steel

Stainless steel version: bracket, axle and nut

stainless steel 304L, stainless steel sprocket, sprocket bearing lubricated for life (FM 222 grease suitable for food industry acc USA standards).

steel or
stainless
steel

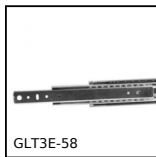
**DISCOUNTS**

Qty	1+	10+	25+	50+
Disc.	List	-5%	-10%	On request

Part number	Chain Pitch	N° of teeth	S	Øext	ØPCD	F	E	H	Stroke	Tension (N)	Price each	
											1 to 9	
Steel sprocket												
TCRX-06B1	06B1	9,525	15	5,3	49,3	45,81	160	135,0	95,0	40	100 to 240	61,32 €
TCRX-08B1	08B1	12,700	15	7,2	65,5	61,09	186	153,5	113,5	40	100 to 240	60,72 €
TCRX-10B1	10B1	15,875	15	9,1	83,0	76,36	196	153,5	113,5	40	100 to 240	64,84 €
Stainless steel sprocket												
TCRX-06B1/SS	06B1	9,525	15	5,3	49,3	45,81	160	135,0	95,0	40	100 to 240	75,69 €
TCRX-08B1/SS	08B1	12,700	15	7,2	65,5	61,09	186	153,5	113,5	40	100 to 240	80,52 €
TCRX-10B1/SS	10B1	15,875	15	9,1	83,0	76,36	196	153,5	113,5	40	100 to 240	102,84 €

Dimensions in mm

Altri prodotti...



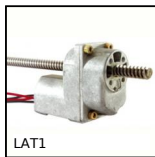
GLT3E-58

Guide telescopiche acciaio, Estensione extra



NAST

Rotelle, Con anello interno



LAT1

Attuatore lineare a motore, 1 ampere



PCS50K

Pignone a catena dentatura temprata, 12.7mm (DIN08B-1)



PCS50SS

Pignone a catena - Inox, 12.7mm (DIN 08B-1)



DER90

Motore inox AC asincrono da 1.1 a 1.5kW, 1.1 a 1.5kW



VLBG

Anello di sollevamento, Girevole



M1

Coppia ruota e vite senza fine, Acciaio temprato



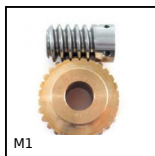
CLASS

Maniglia a ripresa - maschio, Inox



TBD

Tavola di posizionamento a passo inverso manuale, 20kg



M1

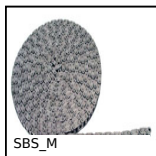
Coppia ruota e vite senza fine, Bronzo



PRT-TO

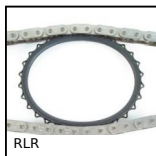
Corona girevole Iglidur®, Con dentatura esterna- Iglidur®, allumi...

Prodotti correlati



SBS_M

Catena semplice al metro, Inox



RLR

Tendron per catene Roll-Ring®, Roll-Ring® Self-adjusting



PCS37SS

Pignone a catena - Inox, 9.525 (DIN 06B-1)