

Self-centering locking assembly



RT61

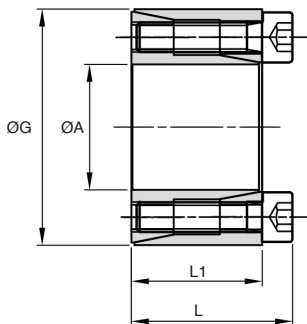
Torque **medium/low**

- Inserts between the shaft and the bore
- Contact pressure spread evenly
- Easy to assembly and dismantle
- Reduced width
- Backlash free
- **No constraints due to keyway**
- Increases the resistant part of the shaft
- Suitable for alternating rotational movement
- Material
Steel C45E



Info.

- **PN: hub surface pressure
- **Pw: shaft surface pressure



DISCOUNT

Qty	1+	6+	20+	40+	60+	100+
Disc.	List	-10%	-15%	-20%	-25%	On request

Part number	ØA	ØG	L	L1	Screw M	Tightening torque TA (Nm)	Transmissible torque T (Nm)	Pw** (N/mm ²)	PN* (N/mm ²)	Price each 1 à 5
RT61-10-20	10	20	15,5	13	4xM2,5x12	1,2	19	89	45	- 9,38 €
RT61-12-22	12	22	15,5	13	4xM2,5x12	1,2	23	75	41	- 9,38 €
RT61-14-26	14	26	20,0	17	4xM3x16	2,1	39	71	38	- 9,92 €
RT61-15-28	15	28	20,0	17	4xM3x16	2,1	42	66	35	- 9,92 €
RT61-16-32	16	32	21,0	17	4xM4x16	4,9	77	107	54	- 10,62 €
RT61-18-35	18	35	25,0	21	4xM4x20	4,9	87	77	40	- 11,49 €
RT61-19-35	19	35	25,0	21	4xM4x20	4,9	91	73	40	- 11,49 €
RT61-20-38	20	38	26,0	21	4xM5x20	10,0	157	113	60	- 12,32 €
RT61-22-40	22	40	26,0	21	4xM5x20	10,0	173	103	57	- 13,54 €
RT61-24-47	24	47	32,0	26	4xM6x24	17,0	268	110	56	- 16,99 €
RT61-25-47	25	47	32,0	26	4xM6x24	17,0	279	105	56	- 17,25 €

*Depending on availability - Dimensions in mm

RT61ss

Torque **medium/low**

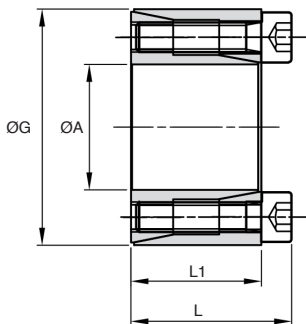
- Inserts between the shaft and the bore
- Contact pressure spread evenly
- Easy to assembly and dismantle
- Reduced width
- Backlash free
- **No constraints due to keyway**
- Increases the resistant part of the shaft
- Suitable for alternating rotational movement
- Material
Stainless steel

stainless steel



Info.

- **Pn: hub surface pressure
- **Pw: shaft surface pressure



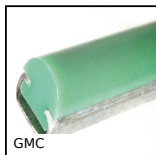
DISCOUNT

Qty	1+	2+	5+
Disc. List	-5%	On request	

Part number	ØA	ØG	L	L1	Screw M	Tightening torque TA (Nm)	Transmissible torque T (Nm)	Pw** (N/mm ²)	Pn* (N/mm ²)	Stock*	Price each
RT61-10-20/SS	10	20	15,5	13	4xM2,5x12	0,5	6	33	17	-	21,88 €
RT61-12-22/SS	12	22	15,5	13	4xM2,5x12	0,5	7	26	15	-	22,15 €
RT61-14-26/SS	14	26	20,0	17	4xM3x16	0,9	13	28	15	-	23,70 €
RT61-15-28/SS	15	28	20,0	17	4xM3x16	0,9	14	26	14	-	24,15 €
RT61-16-32/SS	16	32	21,0	17	4xM4x16	2,2	28	45	23	-	25,53 €
RT61-18-35/SS	18	35	25,0	21	4xM4x20	2,2	32	32	17	-	27,73 €
RT61-19-35/SS	19	35	25,0	21	4xM4x20	2,2	34	31	17	-	27,80 €
RT61-20-38/SS	20	38	26,0	21	4xM5x20	4,2	55	45	24	-	29,85 €
RT61-22-40/SS	22	40	26,0	21	4xM5x20	4,2	61	41	23	-	33,50 €
RT61-24-47/SS	24	47	32,0	26	4xM6x24	7,3	96	44	23	-	39,03 €
RT61-25-47/SS	25	47	32,0	26	4xM6x24	7,3	100	43	23	-	42,08 €

*Depending on availability - Dimensions in mm

Altri prodotti...



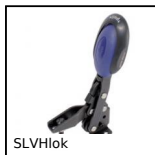
GMC

Guida prodotto laterale tonda, Per imbottigliamento e imballaggio



PRF_VTM

Fissaggio, Vite testa martello



SLVHlok

Bloccaggio a leva, A leva verticale / base orizzontale



BFDdII

Boccola di fermo per perno ad innesto, Acciaio nichelato



DOMI50

Accessori di collegamento, Piastra



BTE

Tenditore automatico universale, Per applicazioni correnti



LPCM

Leva con impugnatura cilindrica, Duroplast nero, leva in acciaio



DFG

Ventosa, silicone



SMS

Ingranaggio conico spiroidale, 1:1



PTRSS

Pignone tendicatena, Per ambienti aggressivi



BPM_LOK

Pressore a molla con intaglio e puntale a sfera, LONG-LOK -



CHINV

Cerniera invisibile, Invisibile - Apertura fino a 90°

Prodotti correlati



RTT

Calettatore di bloccaggio, Coppia media/elevata



RTTss

Calettatore di bloccaggio, Coppia media/elevata



RT25

Calettatore di bloccaggio, Coppia media/elevata



RT61ss

Calettatore di bloccaggio, Coppia media/bassa