



Aluminium profile with "extendable slot"

Section: 45x45 mm **MiniTec** PRF4545P

- Profile for creating modular structures
- Slots of the required length can be opened on any face
- To be cut to length once supplied
- Material: anodised aluminium
- Covers are not sold individually, please contact us for details

Accessories

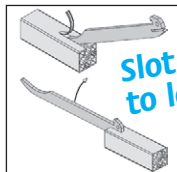
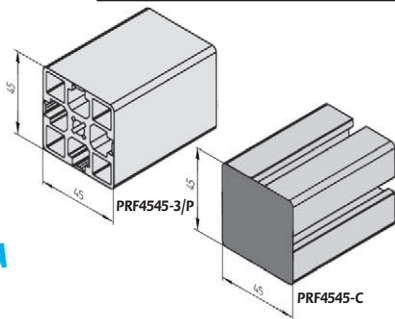
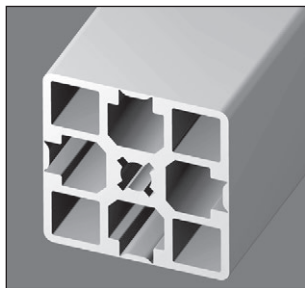
- Universal fastener PRF-FIX-UNI
- Right angle PRF19-E, PRF25-E, PRF45-E, PRF4590-E
- Standard fastener PRF-FIX-STD
- Screwed-in assemblies

Tools

- Stripper PRF-TOOL-OR
- Trimmer PRF-TOOL-EB

Uses

- All types of construction, especially where strict hygiene rules must be adhered to, such as the food or pharmaceutical industries
- Central of the profile can be used as a channel for a counterweight



Slot opened to length

DISCOUNTS profile DISCOUNTS cover

Qty.	1+	5+	10+
Disc.	List -5%		On request

Qty.	1+	50+	100+
Disc.	List -5%		On request

Part number	lx (cm ⁴)	ly (cm ⁴)	Length (mm)	Weight (kg/m)	Stock*	Price each
Profile						
PRF4545-3/P	14,095	14,095	3000	2,01	✓	86,30 €
Cover						
PRF4545-C		End cap			✓	0,98 €
PRF45-EG		Fixing cover			✓	0,67 €
Tools						
PRF-TOOL-OR		Stripper			✓	24,05 €
PRF-TOOL-EB		Deburring tool			-	125,14 €

*Depending on availability - Dimensions in mm

Altri prodotti...



CHN_CHNSS

Catena dritta a maglie lunghe, Acciaio zincato



MDB_MTB

Ingranaggio conico in plastica stampata, 3:1



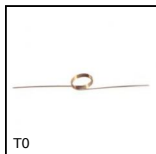
ZBconique

Ingranaggio conico in plastica, 1:1



CHAPAMss

Cerniera a testa piatta a saldare, Inox o Alluminio



T0

Molla di torsione, Inox



PW_PWG25

Ruota di precisione, Bronzo



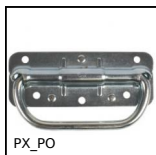
RHTplss

Ruota alte temperature, fino a 200kg



DZY

Piedino antivibrante cilindrico, Acciaio



PX_PO

Maniglia - movimentazione



PSPT

Manopola a pressione, PVC



YG2

Ingranaggio dritto PRESTAZIONE, Acciaio



BLH70

Rinvio angolare a L, da 26 a 128 Nm

Prodotti correlati



PRF_FIX_UNI

Fissaggio, universale