

Stainless steel standard profile

PRF4545 MiniTec

Section: 45x45 mm

- Profile for creating modular structures
- To be cut to length once supplied
- Material: stainless steel 1.4301 (X5 CrNi 18-10)

Accessories

- Universal fixation **PRF-FIX-UNI/SS**
- Stainless steel standard screws (CHC DIN912)
- Stainless steel nuts **PRF-ECL/SS**
- Rod end screw fixing **FHC8-16/SS/B**

Uses

- Food industry
- Outdoor applications
- Chemical industry
- Pharmaceutical industry
- High ambient temperature applications

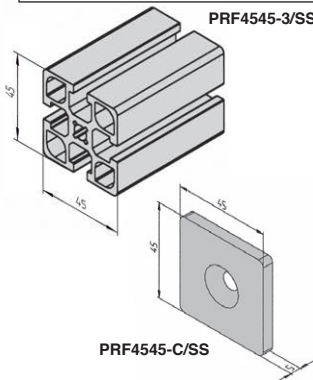
Advantages

The advantages are the same as for aluminium profiles:

- Same modularity across the complete range
- Slots accept M8 screws
- Compatible with the entire range
- Only 1 type of thread (M8) used across the range
- No special tooling required
- Assemblies can be made in all 4 axes
- Slots can support panels



PRF4545-3/SS



PRF4545-C/SS

DISCOUNTS profile

Qty.	1+	5+	10+
Disc.	List	-5%	On request

DISCOUNTS cover

Qty.	1+	50+	100+
Disc.	List	-5%	On request

Part number	lx (cm ²)	ly (cm ²)	Length (mm)	Weight (kg/m)	Price each
Profile					
PRF4545-3/SS	6,47	6,47	3000	2,778	221,07 €
Cover					
PRF4545-C/SS			End cap		9,97 €

Dimensions in mm

Section: 45x45 mm

MiniTecPRF4545

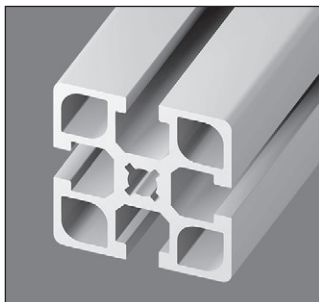
- Profile for creating modular structures
- To be cut to length once supplied
- PR4545 profile is basic profile for creating all types of structures
- Material: anodised aluminium
- Covers are not sold individually, please contact us for details

Accessories

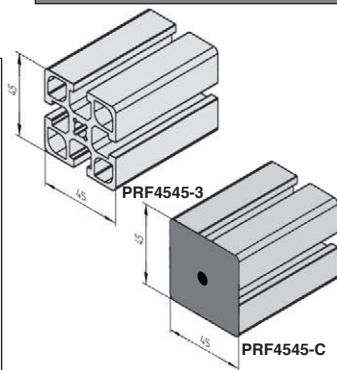
- Universal fastener PRF-FIX-UNI
- Right angle PRF19-E, PRF25-E, PRF45-E, PRF4590-E
- Standard fastener PRF-FIX-STD
- Screwed-in assemblies

Uses

- All types of construction



Typical application



DISCOUNTS profile DISCOUNTS cover

Qty.	1+	5+	10+
Disc.	List -5%	On request	

Qty.	1+	50+	100+
Disc.	List -5%	On request	

Part number	Ix (cm ⁴)	Iy (cm ⁴)	Length (mm)	Weight (kg/m)	Stock*	Price each
Profile						
PRF4545-3	14,153	14,153	3000	2,005	✓	72,25 €
Cover						
PRF4545-C		End cover with pin			✓	0,98 €

*Depending on availability - Dimensions in mm

Altri prodotti...



CHTRB

Riduttore a rinvio
angolare a L o a T,
fino a 53,1 Nm



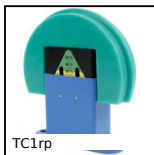
RHTplss

Ruota alte
temperature, fino a
200kg



VTHA

Vite magnetica a
testa esagonale,
Acciaio



TC1rp

Tenditore per catena
automatico, Con
pattino 180°



GMK17_R

Guida prodotto
laterale tonda, Per
imbottigliamento e
imballaggio



SLHHlok

Bloccaggio a leva, A
leva orizzontale / base
orizzontale



BOXsap

Box kit di spine
elastiche ISO8752,
Box kit - elastica
cilindrica IS...



PCS375S

Pignone a catena -
Inox, 9.255 (DIN
06B-1)



FF30

Riduttore ad alberi
paralleli, da 21.50 a
83 Nm



ACLCHAR

Cerniera ad avvitare,
Con fori oblunghi



CHB

Feet, For CHB gearbox



DKGS

Giunto senza gioco
Gerwah®, da 0.5 a
3Nm

Prodotti correlati



PRF_FIX_UNI

Fissaggio, universale



PRF-SCREEN-1

Screen support, Basic
support



PRF-SCREEN-4

Screen support,
Support with 4 axes of
rotation



PRF-SCREEN-5

Screen support,
Support with 5 axes of
rotation