

# Standard aluminium profile

Stock

PRF1932 **MiniTec**

Section: 19x32 mm

- Profile for creating modular structures
- To be cut to length once supplied
- Material: anodised aluminium
- Covers are not sold individually, please contact us for details

## Accessories

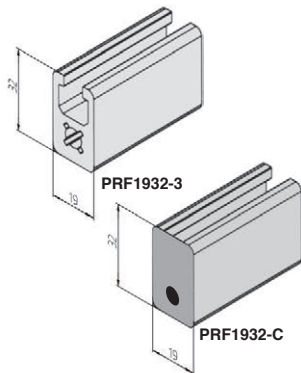
- Universal fastener PRF-FIX-UNI
- Right angle PRF19-E
- Standard fastener PRF-FIX-STD
- Screwed-in assemblies

## Uses

- Light supports
- Handles
- Detector and switch supports
- Frames



Typical application



## DISCOUNTS profile DISCOUNTS cover

Qty.	1+	5+	10+
Disc.	List	-5%	On request

Qty.	1+	50+	100+
Disc.	List	-5%	On request

Part number	lx (cm')	ly (cm')	Length (mm)	Weight (kg/m)	Stock*	Price each
<b>Profile</b>						
PRF1932-3	3,105	1,527	3000	0,987	✓	52,12 €
<b>Cover</b>						
PRF1932-C		End cover with pin			✓	0,93 €

\*Depending on availability - Dimensions in mm

## Altri prodotti...



TK\_UUOP

Manicotto a sfere  
autoallineante  
Topball,  
Autoallineante Topball



CHT

Motore AC asincrono  
trifase, 0.55 a 1.1kW



EBC

Dado cieco Hygienic  
Design®, Compatto



GGB

Dado ad alette, Cieco



DBL805

Rotella per catena,  
Serie 805



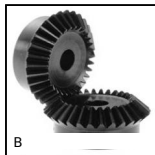
CHMR75

Riduttore a ruota e  
vite senza fine, fino a  
298 Nm



BLH50

Rinvio angolare a L,  
da 7.70 a 20 Nm



B

Ingranaggio conico -  
Acciaio 60C40, 1:1



VPSS

Volantino a 6 lobi,  
Duroplast - Inox



PCS62K

Pignone a catena  
dentatura temprata,  
15.875mm (DIN10B-1)



M1

Coppia ruota e vite  
senza fine, Bronzo



GPB

Maniglia a tirante,  
Maschiatura  
modellata

## Prodotti correlati



PRF\_FIX\_UNI

Fissaggio, universale



PRF19\_E

Squadra di giunzione,  
PRF19 a PRF32



BAC105

Contenitore a becco,  
8mm



BAC105

Contenitore a becco,  
8mm