

# Simple support base (bipod)



## ESSBNV

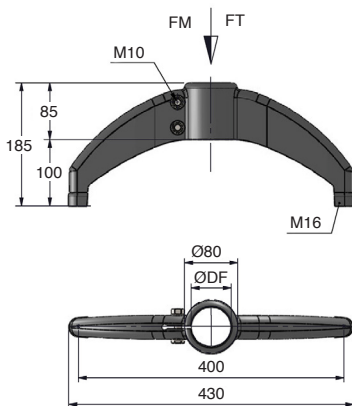
## Plastic

- **Bipod support base**
- Component for conveyor structure
- For round tube
- Materials
  - Body: reinforced polyamide
  - Screws: stainless steel 304



### Accessories

- Add compatible **PR** feet to order (tome 5 p.169)



### DISCOUNTS

Qty	1+	5+	10+
Disc. List		-5%	On request

Part number	ØDF	Max. load resistance FM (N)	Max. working load FT (N)	Weight (kg)	Price each 1 to 4
ESSB-42/NV	42,4	15800	9600	0,612	43,57 €
ESSB-48/NV	48,3	15800	9600	0,612	43,57 €
ESSB-50/NV	50,8	15800	9600	0,612	43,57 €
ESSB-60/NV	60,3	15800	9600	0,752	43,57 €

Dimensions in mm

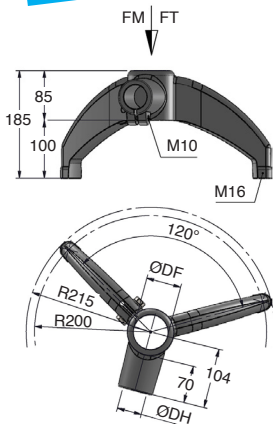
- **Combined bipod support part**
- Component for conveyor structure
- For round tube
- Materials
  - Body: reinforced polyamide
  - Screws: stainless steel 304

### Accessories

- Add compatible PR feet to order (tome 5 p.169)



Typical application



### DISCOUNTS

Qty	1+	5+	10+
Disc.	List	-5%	On request

Part number	ØDF	ØDH	Max load resistance.FM (N)	Max. working load FT (N)	Weight (kg)	Price each 1 to 4
ESCB-42-42/NV	42,4	42,4	15800	9600	0,925	51,82 €
ESCB-48-42/NV	48,3	42,4	15800	9600	0,925	51,82 €
ESCB-48-48/NV	48,3	48,3	15800	9600	0,925	51,82 €
ESCB-50-42/NV	50,8	42,4	15800	9600	0,925	51,82 €
ESCB-50-48/NV	50,8	48,3	15800	9600	0,925	51,82 €
ESCB-60-42/NV	60,3	42,4	15800	9600	0,925	51,82 €
ESCB-60-48/NV	60,3	48,3	15800	9600	0,925	51,82 €

Dimensions in mm

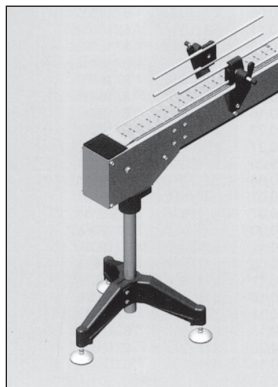
- **High stability**
- Component for conveyor structure
- For round tube
- Materials:

Body: reinforced polyamide

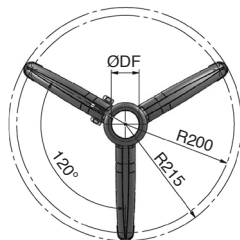
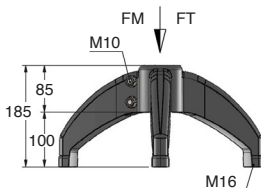
Screws: stainless steel 304

### Accessories

- Add compatible **PR** feet to order (tome 5 p.169)



Typical application



### DISCOUNTS

Qty	1+	5+	10+
Disc.	List	-5%	On request

Part number	ØDF	Max. load resistance FM (N)	Max. working load. FT (N)	Weight (kg)	Price each 1 to 4
ESST-42/NV	42,4	15800	9600	0,975	49,46 €
ESST-48/NV	48,3	15800	9600	0,975	49,46 €
ESST-50/NV	50,8	15800	9600	0,975	49,46 €
ESST-60/NV	60,3	15800	9600	0,975	49,46 €

Dimensions in mm

## Altri prodotti...



EFSM

Cuscinetto a flangia quadrata Igubal®, Polimero



BLHT30

Rinvio angolare a T, da 1.65 a 4.40 Nm



VTA

Limitatore di coppia ad attrito Vari-Tork®, 0.53 a 1.32 Nm



NPTF30

Morsetto di collegamento, Fisso Ø14 a Ø20



MDR

Grillo con chiodo ad occhiello, Acciaio



PGT

Accessori per pannello, Profilo per pannello scorrevole



TBD

Tavola di posizionamento a passo inverso manuale, 5kg



LVT

Mini martinetto motorizzato 4A, 4 ampere



BOX-TOR-B

Valigetta di guarnizioni toriche in



RCX-6

Rondella sferica - DIN6319, convessa



SH4

Ingranaggio elicoidale ad assi paralleli,



BLHB50

Rinvio angolare, fino a 30 Nm

## Prodotti correlati



ES

Support base (tripod), Plastic



ES

Bipod support base, Plastic



PR40

Piede fissabile con snodo - poliammide, Ø 40



PR40

Piede fissabile con snodo - poliammide, Ø 50