

Square hinge with riveted pin, drilled drilled Eco

CHAC Sheet metal with rolled knuckle

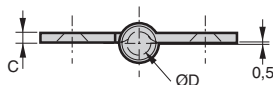
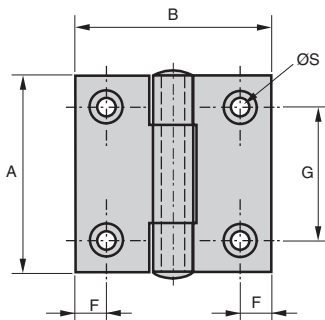
- Hinge for plug door
- Riveted pin, half swaged
- Material:
Stainless steel 304
- Natural finish

stainless steel



Advantages

- Economic hinge



DISCOUNTS

Qty	1+	6+	20+	50+
Disc.	List	-5%	-10%	On request

Part number	A	B	C	ØD	F	G	ØS	Weight (g)	Stock*	Price each 1 to 5
CHAC4040/SS	40	40	2	4	8	24	3,5	34	✓	14,69 €
CHAC5050/SS	50	50	2	6	8	34	4,0	61	✓	17,45 €
CHAC6060/SS	60	60	2	6	8	40	4,0	82	✓	19,89 €

*Depending on availability - Dimensions in mm



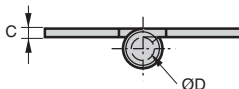
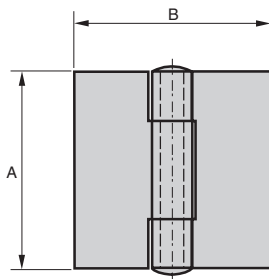
Square hinge with riveted pin, not drilled

Sheet metal with rolled knuckle CHAC-NP

- Hinge for plug door
- Riveted pin, leaves not offset
- Material:
 - CHAC-NP: Steel hinge
 - CHAC-NP/SS: Stainless steel 304
- Natural finish

Advantages

- Economic hinge



DISCOUNTS

Qty	1+	6+	20+	50+
Disc.	List	-5%	-10%	On request

Part number	A	B	C	ØD	Weight (g)	Stock*	Price each
						1 to 5	
Steel							
CHAC4040-NP	40	40	2	4	34	✓	8,69 €
CHAC5050-NP	50	50	2	6	61	✓	10,68 €
CHAC6060-NP	60	60	2	6	82	✓	11,80 €
Stainless steel							
CHAC4040-NP/SS	40	40	2	4	34	✓	14,69 €
CHAC5050-NP/SS	50	50	2	6	61	✓	16,85 €
CHAC6060-NP/SS	60	60	2	6	82	✓	19,03 €

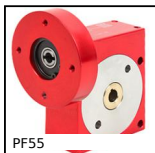
*Depending on availability - Dimensions in mm

Altri prodotti...



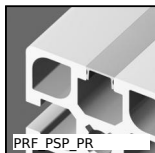
RJA11_27

Guarnizione in gomma, Diverso dall'aggancio



PF55

Riduttore a ruota e vite senza fine, fino a 57 Nm



PRF PSP_PR

Profilato di copertura, Da inserire nelle scanalature



RAS

Snodo angolare a 90° DIN71802, Acciaio



DOG316

Motoriduttore DC 12V e 24V DC, da 1.5 a 2 Nm



SH0

Ingranaggio elicoidale ad assi paralleli, Acciaio 20NCD2



PCS37K

Pignone a catena dentatura temprata, 9.525mm (DIN06B-1)



TCL-ECL

Piede massiccio per carichi pesanti, Vite a registro



PCS_PA6

, 9.525mm (DIN 06B-1)



MHWC

Giunto flessibile a dischi doppi, Disco doppio



PMC48_M8

Supporto antivibrante a campana, Piastra a base ovale



SCR

Accessori per ventosa, Inserto per ventosa - Vite cava

Prodotti correlati



CHAC4040NP

Cerniera, Quadrata con rivetto senza fori



CHA60

Cerniera, Rettangolare forata o con fori svasati