

Clip for ball transfer unit

BPHFCLIP

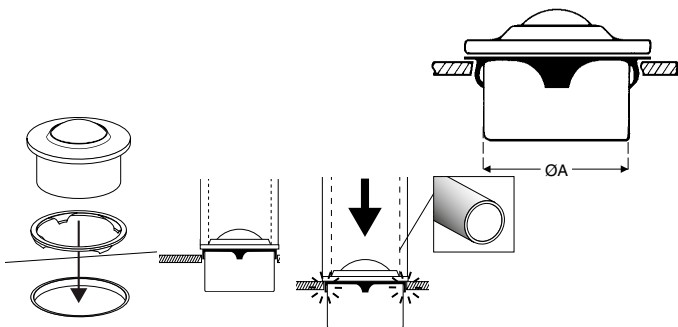
Easy mounting

- **Mounting clip for barrel shaped ball transfer units**
- Compensates for irregularities in size and diameter
- Ideal for where there is only access to one side of the mounting surface
- When using mounting clips, the diameter and height will change. For effective retention, a plate thickness of at least 3 mm is required



Mounting

- 1 Install the clip in the bore
- 2 Push the ball unit through the clip
- 3 The external tabs extend and grip the shaft of the supporting ball



Typical application



DISCOUNTS

Qty	1+	6+	20+	40+	60+
Disc.	Net	-10%	-15%	-20%	On request

Part N°	ØA	Ø Bore min/max	Additional height	For ball unit	Price each 1 to 5
Steel clip					
BPHF15-CLIP	24	25,0 - 25,5	+0,3	BPHF15 - BPPE15 - BPPE15	1,37 €
BPHF22-CLIP	36	37,0 - 37,5	+0,3	BPHF22 - BPPE22 - BPPE22	1,62 €
BPHF30-CLIP	45	46,0 - 46,5	+0,3	BPHF30 - BPPE30 - BPPE30	1,69 €
BPHF45-CLIP	62	63,0 - 63,5	+0,3	BPHF45 - BPPE45 - BPPE45	1,93 €
Stainless steel fixing clip					
BPHF15-CLIP/SS	24	25,0 - 25,5	+0,3	BPHF15 - BPPE15 - BPPE15	1,87 €
BPHF22-CLIP/SS	36	37,0 - 37,5	+0,3	BPHF22 - BPPE22 - BPPE22	2,09 €
BPHF30-CLIP/SS	45	46,0 - 46,5	+0,3	BPHF30 - BPPE30 - BPPE30	2,88 €

*Depending on availability - Dimensions in mm

HPC

WEB
03/2022

www.hpceurope.com

Tél: 0 825 88 5000 Service 0,15 €/min + prix appel

Altri prodotti...



GB-RA

Ingranaggio dritto
ottone, Ottone
CuZn39Pb3



BCTH

Pomello a fungo
Hygienic Usit®, Con
foro filettato e collare
alto



BTE

Tenditore automatico
universale, Per
applicazioni correnti



PAP

Maniglia e battuta per
porta, Maniglia
ergonomica



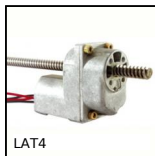
EHD08-9

Riduttore coassiale,
da 35 a 50 Nm



CHML63

Riduttore a ruota e
vite senza fine, fino a
138 Nm - Con
limitatore ...



LAT4

Attuatore lineare a
motore 4A, 4 ampere



PTMR

Telescopico furniture
foot, threaded stud



ACLRP

Rullo per profilati, Con
cuscinetto a sfere



DOMI80

Slitta di regolazione
Domino 80, Slitta
DOMILINE 80 con
contatore e ...



T5M T10M

Cinghia aperta al
metro tipo T, T10
Poliuretano armatura
in acciaio



AT5-10ECO

Puleggia dentata di
posizionamento tipo
AT, Serie economica -
AT5 al...

Prodotti correlati



BPHF

Sfera portante a
incastro con flangia,
Forte



BPLE

Sfera portante a
incastro, Leggero



BPPE

Sfera portante,
Leggero



BPHF

Sfera portante a
incastro con flangia,
Forte