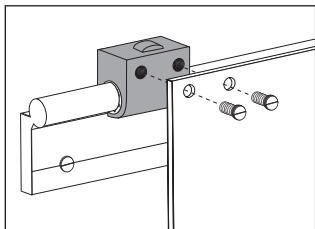


Linear guide system Drylin® W

WJRM

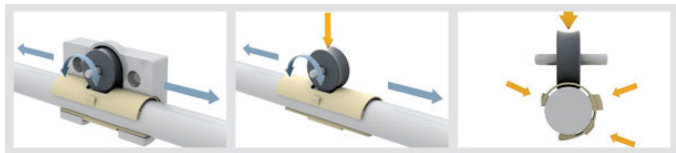
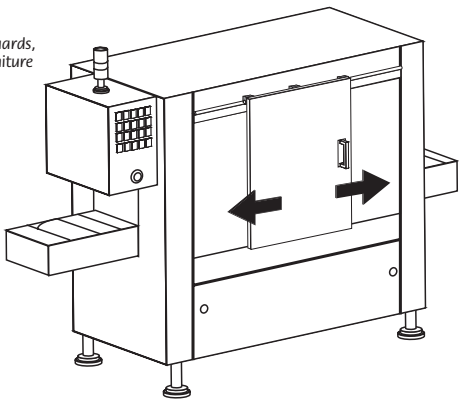
Hybrid bearings

- Drylin W hybrid bearings offer a unique combination of sliding and rolling movement. Depending on the mounting arrangement used, the use of maintenance free rollers reduce the driving force required. Any shear forces or shock forces are absorbed by the bearing. This hybrid bearing is ideally suited for manual adjustments especially in the applications such as door adjustments.
- Low driving force required, coefficient of friction 0.04 to 0.05 μ
- Highly cost effective solution
- Can be used with any of 7 profiles rails such as WS10, WS16 and WS20



Application

- Adjustable doors, machine guards, simple handling systems, furniture



New

Linear guide system Drylin® W

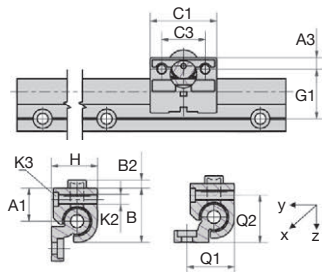
Sizes 10-16-20

WJRM

- **Material :**
Zamack
Liner manufactured from iglidur J

Advantages

- No lubrication required
- Small size
- Lightweight

NEW!

DISCOUNTS

Qty	1+	6+	20+
Disc	Pri. -10%	On request	

Part number	Static load (W)	Dynamic load capacity for a total travel distance of (km)			F _{xv} Max (N.m/s)
		10 (N)	100 (N)	200 (N)	
WJRM01-10	250	250	90	50	50
WJRM01-16	400	400	140	70	80
WJRM01-20	550	550	200	100	80

Part number	A1	A3	B	B2	C1	C3	G1	H	K2	K3	Q1	Q2	Weight (g)	Price each 1 to 5
WJRM01-10	16,5	6,5	26	2,5	35	22	27	18	M6	M5	-	-	46	19,99 €
WJRM01-16	25	9	34,5	5	48	30	33	27	M8	M6	32	28	131	43,67 €
WJRM01-20	30	9	42,5	6	52	34	38	36	M8	M6	37	37	232	50,98 €

Dimensions in mm