



Flanged polymer nut

1 trapezoidal right-hand thread **WFRM**

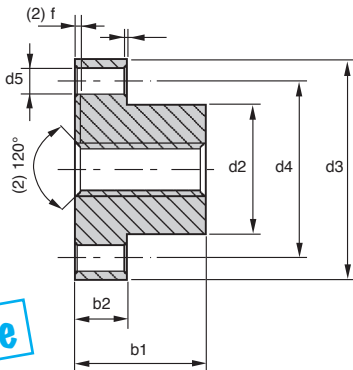
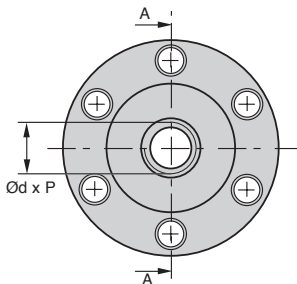
- Material: **iglidur® W300**

Advantages

- Dry working
- Not affected by dirt
- No maintenance required
- No corrosion
- Silent in operation

Accessories

- **LFM** steel lead screw or **LSM** stainless steel lead screw



No maintenance

DISCOUNTS

Qty.	1+	6+	20+	40+	60+
Disc.	List -10%	-15%	-20%	On request	

Part number	Ød	Pitch P	d2	d3	d4	d5	b1	b2	Stock*	Price each 1 to 5
WFRM102	10	2	25	42	34	5	25	10	✓	28,68 €
WFRM123	12	3	28	48	38	6	35	12	✓	35,03 €
WFRM164	16	4	28	48	38	6	35	12	✓	44,81 €
WFRM184	18	4	28	48	38	6	35	12	✓	53,28 €
WFRM204	20	4	32	55	45	7	44	12	✓	53,46 €
WFRM245	24	5	32	55	45	7	44	12	✓	74,14 €
WFRM306	30	6	38	62	50	7	46	14	✓	80,68 €

*Depending on availability - Dimensions in mm