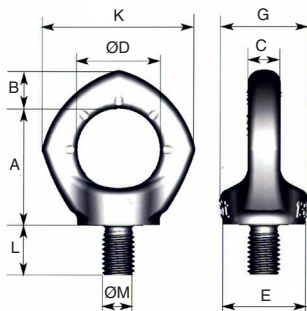
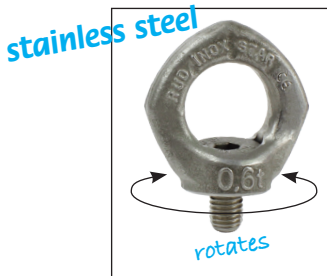


Male swivelling lifting rings **stainless steel**

VRSss  **RUD**

Rotating eye ring

- Distinctive pentagonal shape clearly distinguishes it from DIN 580 lifting rings
- Material :
Ring is forged from 1.4462 stainless steel
- Ring and screw are 100% tested for cracks
- Factor of safety 4
- Blind holes should be drilled sufficiently deep that the base of the ring touches the surface. Screw in the ring (without using any additional fittings), into the piece to be lifted so that the underside of the hexagonal screw is against the surface of the load.
- When assembling, verify that the base of the internal hexagonal screw is in contact with the surface of the load. In case of shocks or vibrations, especially when the load is carried by a screw not fully tightened, there is a severe risk of the ring becoming unscrewed.
- When fully tightened, the ring must be able to turn through 360°
- Before lifting, adjust the lifting ring to the direction of the applied force



Info

- Special captive hexagonal screw
- Conforms to European Directive 98/37/CE
- The nominal SWL engraved on the ring is valid for pulling in all directions

4 Suitable for lifting in any direction
Factor of safety = 4

 **IN STOCK***
Otherwise contact us

DISCOUNTS

Qty	1+	5+	10+	15+
Disc.	List	-3%	-6%	On request

CE

Part number	SWL	ØM	A	B	C	ØD	E	G	K	L	SW	Weight (kg)	Price each 1 to 4
VRS-M12/SS	0,5t	M12	43	14	12	30	30	32	56	18	8	0,19	105,84 €
VRS-M16/SS	1t	M16	50	16	14	35	36	38	65	24	10	0,31	119,56 €
VRS-M20/SS	2t	M20	58	19	16	40	43	47	74	30	12	0,53	147,30 €
VRS-M24/SS	2,5t	M24	70	24	19	48	51	56	92	36	14	0,92	210,74 €

*Depending on availability - Dimensions in mm