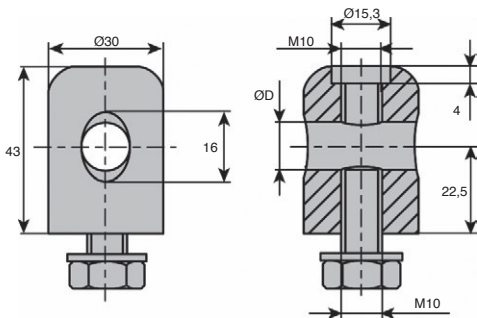


- For guiding profile

- Materials:

Body: nickel brass or stainless steel

Nut/washer: stainless steel



DISCOUNTS

Qty.	1+	10+	20+
Disc. List	-5%	On request	

Part number	ØD	For Axis	Weight (kg)	Stock*	Price each 1 to 9
Nickel brass version					
TOC-12	12,5	APB12	0,18	✓	9,10 €
TOC-14	14,5	APB14	0,18	-	9,10 €
TOC-16	16,5	APB16	0,18	-	9,10 €
Stainless steel version					
TOC-12/SS	12,5	APB12	0,18	✓	14,93 €
TOC-14/SS	14,5	APB14	0,17	✓	14,67 €
TOC-16/SS	16,5	APB16	0,17	✓	14,67 €

*Depending on availability - Dimensions in mm