

- Suitable for mounting and positioning GTC belt rollers and PTR sprockets

- Material:

Plated XC38 steel

304L stainless steel

steel or stainless steel

Accessories

- GTC belt tensioner (tome 4 p.146)

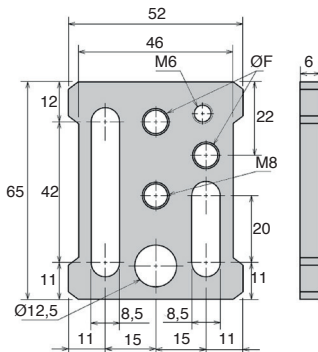
- PTR idler chain sprocket (tome 4 p.140)



Typical application using GTC belt roller



Typical application using PTR sprocket



DISCOUNTS

Qty	1+	4+	10+
Disc.	List	-10%	On request

Part number	Material	ØF	Stock*	Price each 1 to 3
TMR-8	Steel	M8	✓	25,97 €
TMR-10	Steel	M10	-	25,97 €
TMR-8/SS	Stainless steel	M8	-	33,44 €
TMR-10/SS	Stainless steel	M10	-	33,44 €

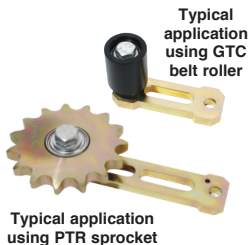
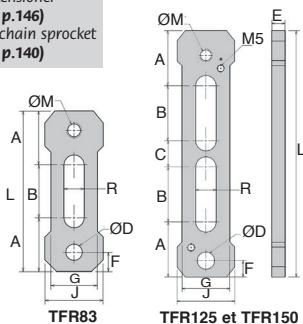
*Depending on availability - Dimensions in mm

- Suitable for mounting and positioning GTC belt rollers and PTR sprockets in a variety of positions
- Material:
Plated XC38 steel
304L stainless steel
- *Anti-rotation system



Accessories

- GTC belt tensioner (tome 4 p.146)
- PTR idler chain sprocket (tome 4 p.140)



DISCOUNTS

Qty	1+	4+	10+
Disc.	List	-10%	On request

Part number	A	B	C	ØD	E	F	G	J	L	ØM	R	Price each 1 to 3
Steel version												
TFR83-8	28	27,5	-	8,5	8	10	24	30	83,5	M8	10,5	✓ 14,77 €
TFR83-10	28	27,5	-	8,5	8	10	24	30	83,5	M10	10,5	- 15,22 €
TFR125-8	28	27,5	14	10,5	8	10	24	30	125	M8	10,5	✓ 15,80 €
TFR125-10	28	27,5	14	10,5	8	10	24	30	125	M10	10,5	✓ 16,40 €
TFR125-12	28	27,5	14	10,5	8	10	24	30	125	M12	10,5	✓ 17,30 €
TFR150-12	33,5	33,5	16	12,5	8	15	29	35	150	M12	12,5	✓ 25,38 €
TFR150-16	33,5	33,5	16	12,5	8	15	29	35	150	M16	12,5	- 26,27 €
Stainless steel version												
TFR83-8/SS	28	27,5	-	8,5	8	10	24	30	83,5	M8	10,5	- 23,28 €
TFR83-10/SS	28	27,5	-	8,5	8	10	24	30	83,5	M10	10,5	- 24,19 €
TFR125-8/SS	28	27,5	14	10,5	8	10	24	30	125	M8	10,5	- 29,28 €
TFR125-10/SS	28	27,5	14	10,5	8	10	24	30	125	M10	10,5	- 30,15 €
TFR125-12/SS	28	27,5	14	10,5	8	10	24	30	125	M12	10,5	- 32,26 €
TFR150-10/SS	33,5	33,5	16	12,5	8	15	29	35	150	M10	12,5	- 45,11 €
TFR150-12/SS	33,5	33,5	16	12,5	8	15	29	35	150	M12	12,5	- 45,72 €
TFR150-16/SS	33,5	33,5	16	12,5	8	15	29	35	150	M16	12,5	- 47,21 €

* Depending on availability - Dimensions in mm