

- Tensioner for single chain

- Materials:

Housing: polyamide reinforced with 30% glass fibre

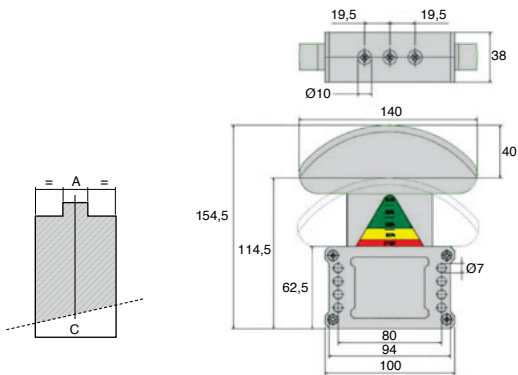
Profile: Green HD1000 polyethylene

Machine column: Black HD500 polyethylene

Screws and springs: stainless steel 304L

Adjustment

- Tension pressure can be reduced by loosening the springs, see instruction sheet



DISCOUNTS

Qty	1+	10+	25+	50+
Disc.	List	-5%	-10%	On request

Part number	Chain	A	C	Stroke	Tension (N)			Price each
					1 spring	2 springs	3 springs	
TCL-AR-06B1	06B1	5	30	40	60 to 132	120 to 264	180 to 396	112,59 €
TCL-AR-08B1	08B1	7	30	40	60 to 132	120 to 264	180 to 396	112,59 €
TCL-AR-10B1	10B1	9	30	40	60 to 132	120 to 264	180 to 396	112,59 €
TCL-AR-12B1	12B1	11	30	40	60 to 132	120 to 264	180 to 396	112,59 €

Dimensions in mm