

# T-Clip - Aluminium profile attachment

TCL

- A T-Clip comprises one insert and one key

- Resistance:

Tear strength: 9Kg

To slipping: 5kg

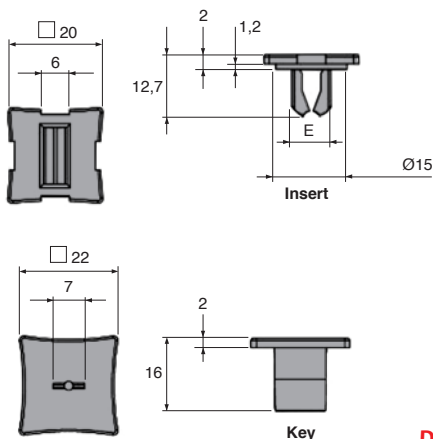
## Advantages

- Allows components to be instantly mounted on an aluminium profile without the need of any tools.
- There are many standard accessories available but any component into which a 15mm diameter hole can be drilled to receive the T-Clip, may also be attached.



## Info.

- Not sold individually, please contact us for details



## DISCOUNTS

Qty	1+	20+	50+
Disc.	List	-5%	On request

Part number	Weight (g)	For slot width	E	Stock*	Price each 1 to 19
TCL-8	2,8	8	8	4	1,01 €
TCL-10	3,1	10	10	4	1,04 €

Dimensions in mm

**0 825 88 6000**  
Service 0,15 € / min  
+ prix appel

Fax

cial2@hpceurope.com

**HPC**

SUPPLEMENT 2019

227