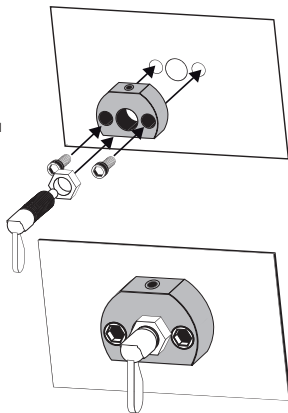
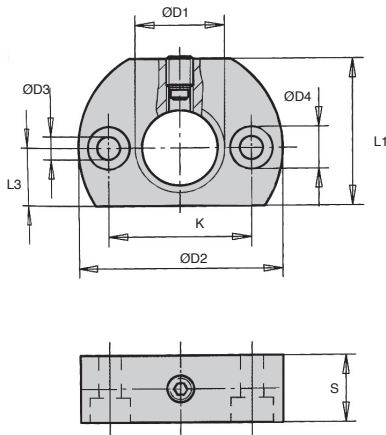


Locating bolt support bracket

Stock

SDA Mounting holes parallel to locating bolt

- Use of a support bracket allows locating bolts to be positioned quickly
- Compatible with all types of locating bolts
- Material: blackened steel



DISCOUNTS

Qty.	1+	6+	20+
Disc.	List	-10%	On request

Part number	ØD1	ØD2	ØD3	ØD4	K	L1	L3	S	Stock*	Price each 1 to 5
SDA12	M12	36	5,5	10	24	25	10	12	✓	10,57 €
SDA12-F	M12 x 1,5	36	5,5	10	24	25	10	12	✓	10,57 €
SDA16	M16	46	5,5	10	32	33	13	15	✓	11,44 €
SDA16-F	M16 x 1,5	46	5,5	10	32	33	13	15	✓	11,44 €
SDA20	M20	46	5,5	10	32	33	13	15	✓	14,41 €
SDA20-F	M20 x 1,5	46	5,5	10	32	33	13	15	✓	11,44 €

*Depending on availability