

- **Ideal gearbox for use in the food industry**
- Ratios from 50:1 to 300:1
- 3-stage reduction
- B14 or B5 flange
- Rounded and polished surfaces to avoid material retention
- Lubricated using food quality grease
- 90% efficient
- Rendement 90%
- Material:

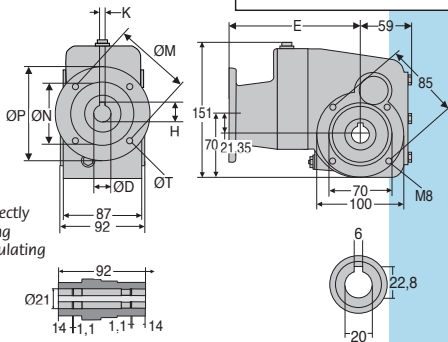
316 stainless steel housing

Accessories

- Can be used with a DER 4-pole motor to create a motor-gearbox
- Torque arms, mounting bracket and protective cover

Info

- All information is engraved directly on to gearbox rather than being on a tag plate to avoid accumulating dirt etc.



Output shaft

Flange dimensions

	ØD	K	H	ØP	ØM	ØN	E	ØT
Flange 63B5	11	4	12,8	140	115	95	139,5	9
Flange 71B14	14	5	16,3	105	85	70	146,5	7

DISCOUNTS

Qty	1+	2+	4+
Disc	Net	-5%	On request

Part N°		Nominal reduction ratio	Actual reduction ratio	Price each
Flange 63B5	Flange 71B14			
RFK28C-50-63B5/SS	RFK28C-50-71B14/SS	50	52,36	1 036,28 €
RFK28C-60-63B5/SS	RFK28C-60-71B14/SS	60	62,36	1 036,28 €
RFK28C-75-63B5/SS	RFK28C-75-71B14/SS	75	74,62	1 036,28 €
RFK28C-100-63B5/SS	RFK28C-100-71B14/SS	100	101,04	1 036,28 €
RFK28C-125-63B5/SS	RFK28C-125-71B14/SS	125	120,34	1 036,28 €
RFK28C-150-63B5/SS		150	146,67	1 036,28 €
RFK28C-200-63B5/SS		200	200,44	1 036,28 €
RFK28C-250-63B5/SS		250	244,29	1 013,98 €
RFK28C-300-63B5/SS		300	291,79	1 036,28 €

All dimensions in mm

0 825 88 6000

Service 0,15 €/min
+ prix appel