

SteSta Articulated foot with solid base foot Ø40

Accepts loads up to 3000N

PTA40
PTA40ss

- Articulated foot
- Up to +/- 10° from vertical
- Materials:

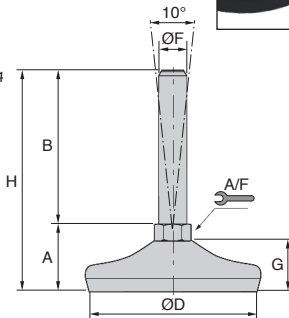
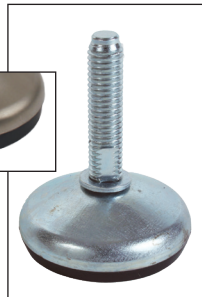
Steel version:

Base: Galvanised sheet steel C40
Shaft: Galvanised steel (nut not supplied)
Sole: Vulcanised NBR rubber,
hardness 80° Shore

Stainless steel version:

Base: Sheet stainless
steel 304
Shaft: Stainless steel 304
(nut not supplied)
Sole: Vulcanised NBR
rubber, hardness 80°
Shore

Stainless steel
version,
sanded finish



Advantages

- Excellent Price-Quality ratio

DISCOUNTS

| Qty | 1+ | 15+ | 20+ | 25+ | 40+ |
|-------|------|-----|------|------|------------|
| Disc. | List | -5% | -10% | -15% | On request |

| Part number | | ØD | ØF | B | A | A/F | G | H | Static load (N) | Stock* Bright | Price each 1 to 14 |
|-----------------------------|--------------------|----|-----|-----|----|-----|----|-----|-----------------|------------------|-----------------------|
| bright | sanded finish | | | | | | | | | | |
| Steel foot | | | | | | | | | | | |
| PTA40-8-25 | - | 40 | M8 | 25 | 26 | 6 | 15 | 51 | 3000 | - | 10,80 € |
| PTA40-8-50 | - | 40 | M8 | 50 | 26 | 6 | 15 | 76 | 3000 | - | 11,22 € |
| PTA40-8-75 | - | 40 | M8 | 75 | 26 | 6 | 15 | 101 | 3000 | - | 11,67 € |
| PTA40-10-25 | - | 40 | M10 | 25 | 26 | 8 | 15 | 51 | 3000 | - | 11,22 € |
| PTA40-10-50 | - | 40 | M10 | 50 | 26 | 8 | 15 | 76 | 3000 | - | 11,67 € |
| PTA40-10-75 | - | 40 | M10 | 75 | 26 | 8 | 15 | 101 | 3000 | - | 12,09 € |
| PTA40-10-100 | - | 40 | M10 | 100 | 26 | 8 | 15 | 126 | 3000 | - | 12,39 € |
| PTA40-10-125 | - | 40 | M10 | 125 | 26 | 8 | 15 | 152 | 3000 | - | 12,54 € |
| Stainless steel foot | | | | | | | | | | | |
| PTA40-8-25/SS | PTA40-8-25/SS/SB | 40 | M8 | 25 | 26 | 6 | 15 | 51 | 3000 | - | 13,14 € |
| PTA40-8-50/SS | PTA40-8-50/SS/SB | 40 | M8 | 50 | 26 | 6 | 15 | 76 | 3000 | - | 13,53 € |
| PTA40-8-75/SS | PTA40-8-75/SS/SB | 40 | M8 | 75 | 26 | 6 | 15 | 101 | 3000 | - | 14,01 € |
| PTA40-10-25/SS | PTA40-10-25/SS/SB | 40 | M10 | 25 | 26 | 8 | 15 | 51 | 3000 | - | 14,31 € |
| PTA40-10-50/SS | PTA40-10-50/SS/SB | 40 | M10 | 50 | 26 | 8 | 15 | 76 | 3000 | - | 14,76 € |
| PTA40-10-75/SS | PTA40-10-75/SS/SB | 40 | M10 | 75 | 26 | 8 | 15 | 101 | 3000 | - | 15,21 € |
| PTA40-10-100/SS | PTA40-10-100/SS/SB | 40 | M10 | 100 | 26 | 8 | 15 | 126 | 3000 | - | 16,08 € |
| PTA40-10-125/SS | PTA40-10-125/SS/SB | 40 | M10 | 125 | 26 | 8 | 15 | 151 | 3000 | - | 16,71 € |

All dimensions in mm

Articulated fixable foot, pressed bolt-down base Ø80 **SteSta**

PTAF80 PAMF80

Accepts loads up to 10.000N

- **Tilting foot**
- Tilt up to +/- 5° from vertical
- With non-slip sole
- Materials:

Steel version:

Base : Galvanised sheet steel C40

Spindle: Galvanised steel (nut not supplied)

Sole: Vulcanised NBR rubber, hardness 80° Shore

Stainless steel version:

Base: Stainless steel sheet 304

Spindle: Stainless steel 304 (nut not supplied)

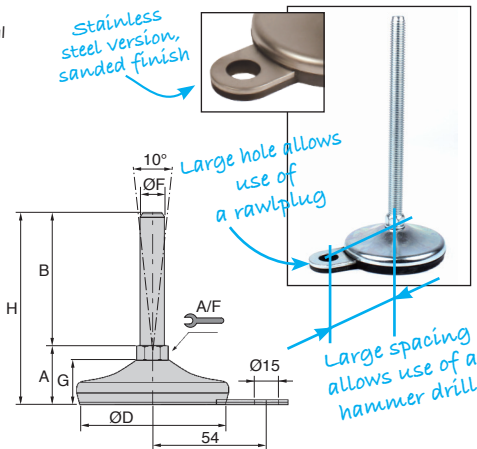
Sole: Vulcanised NBR rubber, 80° Shore

Advantages

- Easy to secure due to large distance between shaft and mounting hole

Option

- Other shaft dimensions are available on request



DISCOUNTS

| Qty | 1+ | 6+ | 10+ | 15+ | 20+ |
|-------|------|-----|------|------|------------|
| Disc. | List | -5% | -10% | -15% | On request |

| Références | | Thread | | | | | | | Static | Price each | |
|-----------------------------|------------------|--------|-----|-----|----|-----|----|-----|---------|------------|---------|
| Bright | Sanded finish | ØD | ØF | B | A | A/F | G | H | load(N) | Bright | 1 to 5 |
| Steel foot | | | | | | | | | | | |
| PTAF80-12-100 | - | 80 | M12 | 100 | 35 | 14 | 25 | 135 | 10000 | ✓ | 30,16 € |
| PTAF80-12-150 | - | 80 | M12 | 150 | 35 | 14 | 25 | 185 | 10000 | ✓ | 32,70 € |
| PTAF80-16-100 | - | 80 | M16 | 100 | 35 | 16 | 25 | 135 | 10000 | ✓ | 32,35 € |
| PTAF80-16-150 | - | 80 | M16 | 150 | 35 | 16 | 25 | 185 | 10000 | ✓ | 35,52 € |
| PTAF80-20-100 | - | 80 | M20 | 100 | 36 | 20 | 25 | 136 | 10000 | - | 34,06 € |
| PTAF80-20-150 | - | 80 | M20 | 150 | 36 | 20 | 25 | 186 | 10000 | - | 37,26 € |
| PTAF80-20-200 | - | 80 | M20 | 200 | 36 | 20 | 25 | 236 | 10000 | - | 40,56 € |
| Stainless steel foot | | | | | | | | | | | |
| PAMF80-12-100 | PAMF80-12-100/SB | 80 | M12 | 100 | 35 | 14 | 25 | 135 | 10000 | ✓ | 47,12 € |
| PAMF80-12-150 | PAMF80-12-150/SB | 80 | M12 | 150 | 35 | 14 | 25 | 185 | 10000 | ✓ | 49,94 € |
| PAMF80-16-75 | PAMF80-16-75/SB | 80 | M16 | 75 | 35 | 13 | 25 | 110 | 10000 | ✓ | 47,80 € |
| PAMF80-16-125 | PAMF80-16-125/SB | 80 | M16 | 125 | 35 | 13 | 25 | 160 | 10000 | ✓ | 51,41 € |
| PAMF80-16-175 | PAMF80-16-175/SB | 80 | M16 | 175 | 35 | 13 | 25 | 210 | 10000 | ✓ | 54,96 € |
| PAMF80-20-100 | PAMF80-20-100/SB | 80 | M20 | 100 | 38 | 17 | 25 | 138 | 10000 | - | 54,96 € |
| PAMF80-20-150 | PAMF80-20-150/SB | 80 | M20 | 150 | 38 | 17 | 25 | 188 | 10000 | - | 58,55 € |
| PAMF80-20-200 | PAMF80-20-200/SB | 80 | M20 | 200 | 38 | 17 | 25 | 238 | 10000 | - | 63,89 € |

*Depending on availability - Dimensions in mm

Accepts loads up to 15.000N

PTAF100
PAMF100

- **Tilting foot**
- Tilt up to +/- 5° from vertical
- With non-slip sole
- Materials:

Steel version:

Base: Galvanised sheet steel C40
Spindle: Galvanised steel (nut not supplied)
Sole: Vulcanised NBR rubber, hardness 80° Shore

Stainless steel version:

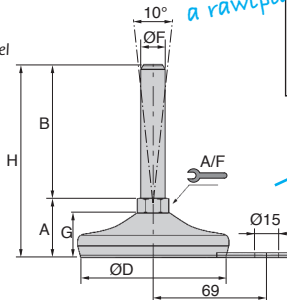
Base: Stainless sheet steel 304
Spindle: Stainless steel plate 304 (nut not supplied)
Sole: Vulcanised NBR rubber, 80° Shore

Stainless steel version, sanded finish



Large hole allows use of a rawlplug

Large spacing allows use of a hammer drill



Advantages

- Easy to install due to large distance between shaft and mounting hole

Option

- Other shaft dimensions are available on request

DISCOUNTS

| Qty | 1+ | 6+ | 10+ | 15+ | 20+ |
|-------|------|-----|------|------|------------|
| Disc. | List | -5% | -10% | -15% | On request |

| Part number | Thread | ØD | ØF | B | A | A/F | G | H | Static load (N) | Stock* Bright | Price each 1 to 5 |
|-----------------------------|-------------------|-----|-----|-----|------|-----|----|-------|-----------------|------------------|----------------------|
| | | | | | | | | | | | |
| Steel foot | | | | | | | | | | | |
| PTAF100-16-100 | - | 100 | M16 | 100 | 38 | 16 | 28 | 137,5 | 15000 | ✓ | 37,89 € |
| PTAF100-16-150 | - | 100 | M16 | 150 | 38 | 16 | 28 | 187,5 | 15000 | ✓ | 40,87 € |
| PTAF100-16-200 | - | 100 | M16 | 200 | 38 | 16 | 28 | 237,5 | 15000 | ✓ | 42,03 € |
| PTAF100-20-100 | - | 100 | M20 | 100 | 39 | 20 | 28 | 138,5 | 15000 | - | 39,38 € |
| PTAF100-20-150 | - | 100 | M20 | 150 | 39 | 20 | 28 | 188,5 | 15000 | ✓ | 42,94 € |
| PTAF100-20-200 | - | 100 | M20 | 200 | 39 | 20 | 28 | 238,5 | 15000 | ✓ | 46,53 € |
| PTAF100-24-100 | - | 100 | M24 | 100 | 39 | 24 | 28 | 138,5 | 15000 | ✓ | 45,28 € |
| PTAF100-24-150 | - | 100 | M24 | 150 | 39 | 24 | 28 | 188,5 | 15000 | - | 49,13 € |
| Stainless steel foot | | | | | | | | | | | |
| PAMF100-16-100 | PAMF100-16-100/SB | 100 | M16 | 100 | 39,5 | 13 | 30 | 139,5 | 15000 | ✓ | 68,55 € |
| PAMF100-16-150 | PAMF100-16-150/SB | 100 | M16 | 150 | 39,5 | 13 | 30 | 189,5 | 15000 | ✓ | 70,70 € |
| PAMF100-16-200 | PAMF100-16-200/SB | 100 | M16 | 200 | 39,5 | 13 | 30 | 239,5 | 15000 | - | 75,69 € |
| PAMF100-20-100 | PAMF100-20-100/SB | 100 | M20 | 100 | 43,0 | 17 | 30 | 143,0 | 15000 | - | 72,82 € |
| PAMF100-20-150 | PAMF100-20-150/SB | 100 | M20 | 150 | 43,0 | 17 | 30 | 193,0 | 15000 | - | 77,16 € |
| PAMF100-20-200 | PAMF100-20-200/SB | 100 | M20 | 200 | 43,0 | 17 | 30 | 243,0 | 15000 | - | 82,13 € |

*Depending on availability - Dimensions in mm

Articulated fixable foot, pressed bolt-down base Ø120 **Sta**

PAMF120 Accepts loads up to 30 000N

Tilting foot

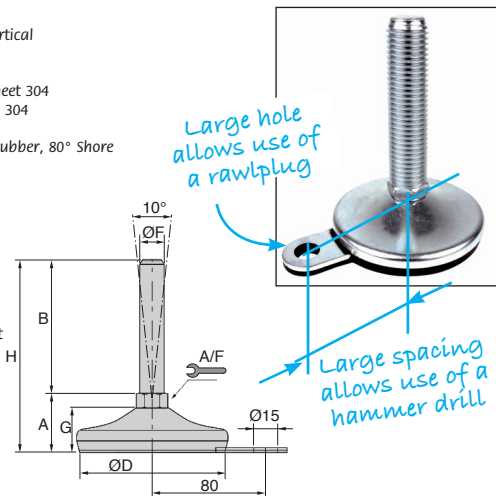
- Tilt up to +/- 5° from vertical
- With non-slip sole
- Materials:
 - Base: Stainless steel sheet 304
 - Spindle: Stainless steel 304 (nut not supplied)
 - Sole: Vulcanised NBR rubber, 80° Shore

Advantages

- Easy to secure due to large distance between shaft and mounting hole

Options

- Other shaft dimensions are available on request



DISCOUNTS

| | | | | | |
|-------|------|-----|------|------|------------|
| Qty | 1+ | 6+ | 10+ | 15+ | 20+ |
| Disc. | List | -5% | -10% | -15% | On request |

| Part number | ØD | ØF | B | A | A/F | G | H | Static load (N) | Stock* | Price each 1 à 5 |
|-------------------|-----|-----|-----|----|-----|----|-----|-----------------|--------|------------------|
| PAMF120-16-100/SS | 120 | M16 | 100 | 47 | 13 | 32 | 147 | 30000 | - | 74,13 € |
| PAMF120-16-150/SS | 120 | M16 | 150 | 47 | 13 | 32 | 197 | 30000 | - | 76,20 € |
| PAMF120-16-200/SS | 120 | M16 | 200 | 47 | 13 | 32 | 247 | 30000 | - | 79,83 € |
| PAMF120-20-100/SS | 120 | M20 | 100 | 47 | 17 | 32 | 147 | 30000 | - | 76,50 € |
| PAMF120-20-150/SS | 120 | M20 | 150 | 47 | 17 | 32 | 197 | 30000 | - | 79,50 € |
| PAMF120-20-200/SS | 120 | M20 | 200 | 47 | 17 | 32 | 247 | 30000 | - | 83,37 € |
| PAMF120-20-250/SS | 120 | M20 | 250 | 47 | 17 | 32 | 297 | 30000 | - | 88,17 € |
| PAMF120-24-150/SS | 120 | M24 | 150 | 49 | 20 | 32 | 199 | 30000 | - | 88,17 € |
| PAMF120-24-200/SS | 120 | M24 | 200 | 49 | 20 | 32 | 249 | 30000 | - | 92,64 € |
| PAMF120-24-250/SS | 120 | M24 | 250 | 49 | 20 | 32 | 299 | 30000 | - | 99,90 € |

*Depending on availability - Dimensions in mm

Articulated levelling foot, pressed base Ø50 **StaSte**

PTA50

Accepts loads up to 4.000N

PTA50ss

- Tilting foot

- Tilt up to +/- 5° from vertical
- The base of the stainless steel version is available with either a glossy or sandblasted finish

- Materials:

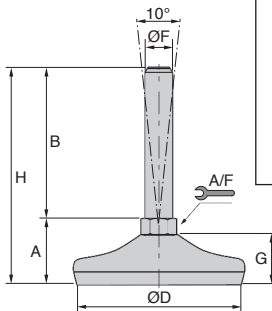
Steel version:

- Base: Galvanised sheet steel C40
- Spindle: Galvanised steel (nut not supplied)
- Sole: Vulcanised NBR rubber, hardness 80° Shore

Stainless steel version:

- Base: Sheet stainless steel 304
- Spindle: Stainless steel 304 (nut not supplied)
- Sole: vulcanised NBR rubber, hardness 80° Shore

Stainless steel version, sanded finish



Option

- Other shaft dimensions are available on request

DISCOUNTS

| Qty | 1+ | 15+ | 20+ | 25+ | 40+ |
|-------|------|-----|------|------|------------|
| Disc. | List | -5% | -10% | -15% | On request |

| Part number | | ØD | ØF | B | A | A/F | G | H | Static load (N) | Stock* bright | Price each 1 to 14 |
|-----------------------------|--------------------|----|-----|-----|----|-----|----|-----|-----------------|------------------|-----------------------|
| bright | sanded finish | | | | | | | | | | |
| Steel foot | | | | | | | | | | | |
| PTA50-10-100 | - | 50 | M10 | 100 | 29 | 14 | 19 | 129 | 4000 | ✓ | 17,72 € |
| PTA50-12-100 | - | 50 | M12 | 100 | 29 | 14 | 19 | 129 | 4000 | ✓ | 17,72 € |
| PTA50-12-150 | - | 50 | M12 | 150 | 29 | 14 | 19 | 179 | 4000 | - | 19,12 € |
| PTA50-16-75 | - | 50 | M16 | 75 | 29 | 16 | 19 | 104 | 4000 | ✓ | 18,19 € |
| PTA50-16-100 | - | 50 | M16 | 100 | 29 | 16 | 19 | 129 | 4000 | - | 19,43 € |
| PTA50-16-150 | - | 50 | M16 | 150 | 29 | 16 | 19 | 179 | 4000 | ✓ | 22,03 € |
| Stainless steel foot | | | | | | | | | | | |
| PTA50-10-75/SS | PTA50-10-75/SS/SB | 50 | M10 | 75 | 29 | 14 | 19 | 104 | 4000 | ✓ | 19,21 € |
| PTA50-10-125/SS | PTA50-10-125/SS/SB | 50 | M10 | 125 | 29 | 14 | 19 | 154 | 4000 | ✓ | 21,85 € |
| PTA50-12-75/SS | PTA50-12-75/SS/SB | 50 | M12 | 75 | 29 | 14 | 19 | 104 | 4000 | ✓ | 19,21 € |
| PTA50-12-125/SS | PTA50-12-125/SS/SB | 50 | M12 | 125 | 29 | 14 | 19 | 154 | 4000 | ✓ | 21,85 € |
| PTA50-16-75/SS | PTA50-16-75/SS/SB | 50 | M16 | 75 | 34 | 13 | 19 | 109 | 4000 | ✓ | 22,42 € |
| PTA50-16-100/SS | PTA50-16-100/SS/SB | 50 | M16 | 100 | 34 | 13 | 19 | 134 | 4000 | ✓ | 23,31 € |
| PTA50-16-150/SS | PTA50-16-150/SS/SB | 50 | M16 | 150 | 34 | 13 | 19 | 184 | 4000 | - | 25,64 € |

*Depending on availability - Dimensions in mm

SteSta Articulated levelling foot, pressed base Ø80

Accepts loads up to 10.000N

PTA80
PTA80ss

- **Tilting foot**
- Tilt up to +/- 5° from vertical
- The base of the stainless steel version is available with either a glossy or sandblasted finish
- Materials:

Steel version:

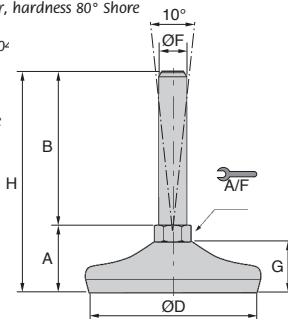
Base: Galvanised sheet steel C40
Spindle: Galvanised steel (nut not supplied)
Sole: Vulcanised NBR rubber, hardness 80° Shore

Stainless steel version:

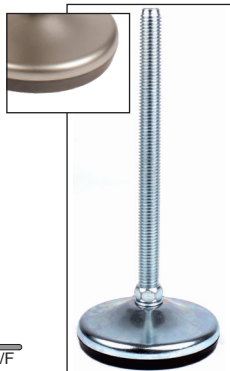
Base: Stainless steel sheet 30°
Spindle: Stainless steel 304 (nut not supplied)
Sole: Vulcanised NBR rubber, hardness 80° Shore

Option

- Other shaft dimensions are available on request



Stainless steel version, sanded finish



DISCOUNTS

| Qty | 1+ | 15+ | 20+ | 25+ | 40+ |
|-------|------|-----|------|------|------------|
| Disc. | List | -5% | -10% | -15% | On request |

| Part number | | ØD | ØF | B | A | A/F | G | H | Static load (N) | Stock* bright | Price each 1 to 14 |
|-----------------------------|--------------------|----|-----|-----|----|-----|----|-----|-----------------|---------------|--------------------|
| bright | sanded finish | | | | | | | | | | |
| Steel foot | | | | | | | | | | | |
| PTA80-12-100 | - | 80 | M12 | 100 | 35 | 14 | 25 | 135 | 10000 | ✓ | 25,19 € |
| PTA80-12-150 | - | 80 | M12 | 150 | 35 | 14 | 25 | 185 | 10000 | - | 28,03 € |
| PTA80-16-100 | - | 80 | M16 | 100 | 35 | 16 | 25 | 135 | 10000 | ✓ | 27,83 € |
| PTA80-16-150 | - | 80 | M16 | 150 | 35 | 16 | 25 | 185 | 10000 | - | 30,77 € |
| PTA80-20-100 | - | 80 | M20 | 100 | 36 | 20 | 25 | 136 | 10000 | ✓ | 29,22 € |
| PTA80-20-150 | - | 80 | M20 | 150 | 36 | 20 | 25 | 186 | 10000 | ✓ | 32,81 € |
| PTA80-20-200 | - | 80 | M20 | 200 | 36 | 20 | 25 | 236 | 10000 | ✓ | 35,82 € |
| Stainless steel foot | | | | | | | | | | | |
| PTA80-12-100/SS | PTA80-12-100/SS/SB | 80 | M12 | 100 | 35 | 14 | 25 | 135 | 10000 | ✓ | 38,44 € |
| PTA80-12-150/SS | PTA80-12-150/SS/SB | 80 | M12 | 150 | 35 | 14 | 25 | 185 | 10000 | ✓ | 41,30 € |
| PTA80-16-100/SS | PTA80-16-100/SS/SB | 80 | M16 | 100 | 35 | 13 | 25 | 135 | 10000 | ✓ | 41,30 € |
| PTA80-16-150/SS | PTA80-16-150/SS/SB | 80 | M16 | 150 | 35 | 13 | 25 | 185 | 10000 | ✓ | 44,18 € |
| PTA80-20-100/SS | PTA80-20-100/SS/SB | 80 | M20 | 100 | 38 | 17 | 25 | 138 | 10000 | - | 46,33 € |
| PTA80-20-150/SS | PTA80-20-150/SS/SB | 80 | M20 | 150 | 38 | 17 | 25 | 188 | 10000 | ✓ | 49,87 € |
| PTA80-20-200/SS | PTA80-20-200/SS/SB | 80 | M20 | 200 | 38 | 17 | 25 | 238 | 10000 | ✓ | 55,25 € |

*Depending on availability - Dimensions in mm

Articulated levelling foot, pressed base Ø100 **Ste** **Sta**

PTA100 PTA100ss

Accepts loads up to 15.000N

- Tilting foot

- tilt up to +/- 5° from vertical
- The base of the stainless steel version is available with either a glossy or sandblasted finish

- Materials:

Steel version:

Base: Galvanised sheet steel C40

Spindle: Galvanised steel (nut not supplied)

Sole: Vulcanised NBR rubber, hardness

80° Shore

Stainless steel version:

Base: Stainless steel

sheet 304

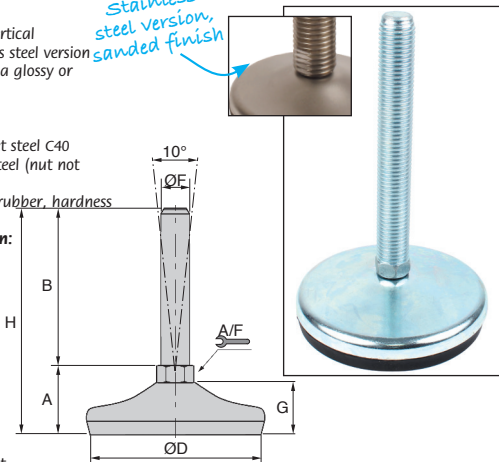
Spindle: Stainless steel

plate 304 (nut not supplied)

Sole: Vulcanised NBR rubber, hardness

80° Shore

Stainless steel version, sanded finish



Option

- Other shaft dimensions are available on request

DISCOUNTS

| Qty | 1+ | 15+ | 20+ | 25+ | 40+ |
|-------|------|-----|------|------|------------|
| Disc. | List | -5% | -10% | -15% | On request |

| Part number | | ØD | ØF | B | A | A/F | G | H | Static load (N) | Stock* bright | Price each 1 to 14 |
|-----------------------------|---------------------|-----|-----|-----|------|-----|----|-------|-----------------|------------------|-----------------------|
| bright | sanded finish | | | | | | | | | | |
| Steel foot | | | | | | | | | | | |
| PTA100-16-100 | - | 100 | M16 | 100 | 38,0 | 16 | 28 | 137,5 | 15000 | ✓ | 30,77 € |
| PTA100-16-150 | - | 100 | M16 | 150 | 38,0 | 16 | 28 | 187,5 | 15000 | ✓ | 33,81 € |
| PTA100-16-200 | - | 100 | M16 | 200 | 38,0 | 16 | 28 | 237,5 | 15000 | ✓ | 34,92 € |
| PTA100-20-100 | - | 100 | M20 | 100 | 39,0 | 20 | 28 | 138,5 | 15000 | ✓ | 32,25 € |
| PTA100-20-150 | - | 100 | M20 | 150 | 39,0 | 20 | 28 | 188,5 | 15000 | - | 35,82 € |
| PTA100-20-200 | - | 100 | M20 | 200 | 39,0 | 20 | 28 | 238,5 | 15000 | - | 39,38 € |
| PTA100-24-100 | - | 100 | M24 | 100 | 39,0 | 24 | 28 | 138,5 | 15000 | - | 38,12 € |
| PTA100-24-150 | - | 100 | M24 | 150 | 39,0 | 24 | 28 | 188,5 | 15000 | - | 41,83 € |
| Stainless steel foot | | | | | | | | | | | |
| PTA100-16-100/SS | PTA100-16-100/SS/SB | 100 | M16 | 100 | 39,5 | 13 | 30 | 139,5 | 15000 | ✓ | 59,88 € |
| PTA100-16-150/SS | PTA100-16-150/SS/SB | 100 | M16 | 150 | 39,5 | 13 | 30 | 189,5 | 15000 | - | 61,99 € |
| PTA100-16-200/SS | PTA100-16-200/SS/SB | 100 | M16 | 200 | 39,5 | 13 | 30 | 239,5 | 15000 | - | 67,01 € |
| PTA100-20-100/SS | PTA100-20-100/SS/SB | 100 | M20 | 100 | 43,0 | 17 | 30 | 143,0 | 15000 | - | 64,17 € |
| PTA100-20-150/SS | PTA100-20-150/SS/SB | 100 | M20 | 150 | 43,0 | 17 | 30 | 193,0 | 15000 | - | 68,41 € |
| PTA100-20-200/SS | PTA100-20-200/SS/SB | 100 | M20 | 200 | 43,0 | 17 | 30 | 243,0 | 15000 | - | 73,40 € |
| PTA100-24-100/SS | PTA100-24-100/SS/SB | 100 | M24 | 100 | 44,0 | 20 | 30 | 144,0 | 15000 | - | 69,13 € |
| PTA100-24-150/SS | PTA100-24-150/SS/SB | 100 | M24 | 150 | 44,0 | 20 | 30 | 194,0 | 15000 | - | 71,31 € |

*Depending on availability - Dimensions in mm

SteSta Pressed steel articulated foot Ø150

Accepts loads up to 40,000N

PTA150
PTA150ss

- **Levelling foot**
- Brilliant finish (Sand-blasted finish for base of the stainless steel version)
- Materials:

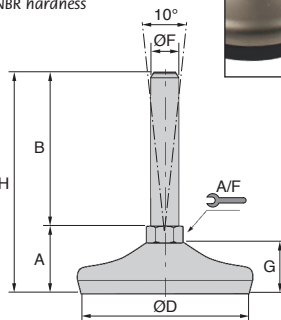
Steel version:

Base: Chromed steel sheet C40
Rod: Chromed steel (nut not supplied)
Sole: Vulcanised rubber NBR hardness 80° Shore

Stainless steel version:

Base: 304 stainless steel, brilliant or sand-blasted finish
Rod: 304 stainless steel (nut not supplied)
Sole: Vulcanised rubber NBR hardness 80° Shore

Sand-blasted stainless-steel version



Options

- Other rod sizes are available

DISCOUNTS

| | | | | | |
|-------|----------|------|------|-----|------------|
| Qty | 1+ | 15+ | 20+ | 25+ | 40+ |
| Disc. | List -5% | -10% | -15% | | On request |

| Part number | | ØD | ØF | B | A | A/F | G | H | Static load (N) | Price each 1 to 14 |
|-----------------------------|---------------------|-----|-----|-----|----|-----|----|-----|-----------------|-----------------------|
| bright | sanded finish | | | | | | | | | |
| Steel foot | | | | | | | | | | |
| PTA150-24-100 | - | 150 | M24 | 100 | 44 | 24 | 35 | 144 | 40000 | 59,78 € |
| PTA150-24-150 | - | 150 | M24 | 150 | 44 | 24 | 35 | 194 | 40000 | 63,10 € |
| PTA150-24-200 | - | 150 | M24 | 200 | 44 | 24 | 35 | 244 | 40000 | 66,68 € |
| PTA150-24-250 | - | 150 | M24 | 250 | 44 | 24 | 35 | 294 | 40000 | 70,03 € |
| PTA150-30-100 | - | 150 | M30 | 100 | 44 | 30 | 35 | 145 | 40000 | 65,62 € |
| PTA150-30-150 | - | 150 | M30 | 150 | 44 | 30 | 35 | 195 | 40000 | 67,68 € |
| PTA150-30-200 | - | 150 | M30 | 200 | 44 | 30 | 35 | 245 | 40000 | 74,50 € |
| PTA150-30-250 | - | 150 | M30 | 250 | 44 | 30 | 35 | 395 | 40000 | 83,90 € |
| Stainless steel foot | | | | | | | | | | |
| PTA150-24-100/SS | PTA150-24-100/SS/SB | 150 | M24 | 100 | 49 | 20 | 35 | 149 | 40000 | 86,15 € |
| PTA150-24-150/SS | PTA150-24-150/SS/SB | 150 | M24 | 150 | 49 | 20 | 35 | 199 | 40000 | 90,89 € |
| PTA150-24-200/SS | PTA150-24-200/SS/SB | 150 | M24 | 200 | 49 | 20 | 35 | 249 | 40000 | 95,63 € |
| PTA150-24-250/SS | PTA150-24-250/SS/SB | 150 | M24 | 250 | 49 | 20 | 35 | 299 | 40000 | 100,38 € |
| PTA150-30-100/SS | PTA150-30-100/SS/SB | 150 | M30 | 100 | 50 | 26 | 35 | 150 | 40000 | 98,04 € |
| PTA150-30-150/SS | PTA150-30-150/SS/SB | 150 | M30 | 150 | 50 | 26 | 35 | 200 | 40000 | 104,97 € |
| PTA150-30-200/SS | PTA150-30-200/SS/SB | 150 | M30 | 200 | 50 | 26 | 35 | 250 | 40000 | 110,80 € |
| PTA150-30-250/SS | PTA150-30-250/SS/SB | 150 | M30 | 250 | 50 | 26 | 35 | 300 | 40000 | 116,58 € |

All dimensions in mm