

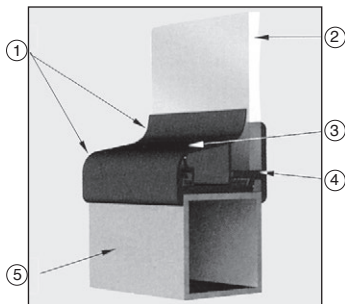
- For square tube  $\square 25 \times 25$
- Material: rigid and flexible PVC

### Info.

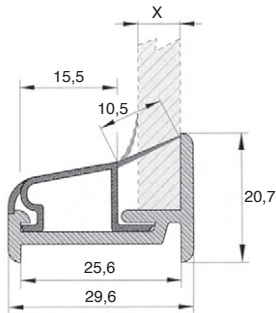
- Panel thickness (X) should be between 5 and 8mm

### Accessories

- Structural tube **TUBE**
- Panel stop **BUT**
- Panel holder **BRI**



Typical application



- 1) Flexible PVC element
- 2) Panel
- 3) Upper profile
- 4) Lower profile
- 5) Square tube

### DISCOUNTS

Qty.	1+	5+	10+
Disc.	List -5%	On request	

Part number	Length (mm)	Weight (kg)	Stock*	Price each 1 to 4
PSP-25	3000	0,27	✓	53,40 €

\*Depending on availability - Dimensions in mm