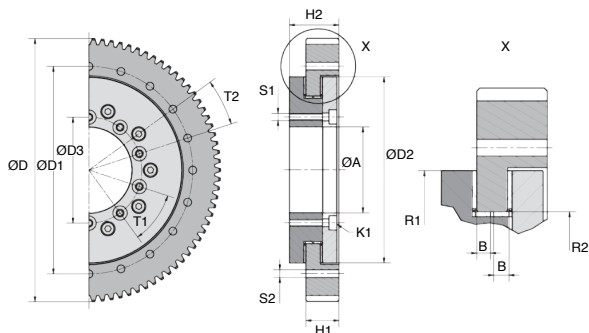
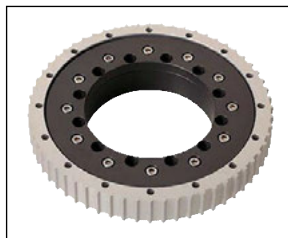


- **igidur® PRT geared slewing ring bearing**
- The interior ring is fixed, the larger external ring supports the load.
- General characteristics:
See **PRT** tables
- Material:
Moving part iglidur® J
Aluminium ring EN AW6061/6060,
hard anodised
Screws: Stainless steel
- 4 gear styles available: Spur gear DIN3967
or belt pulleys; T10, AT10 or HTD8M

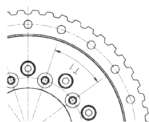


Part number	ØD1	ØD3	ØA	ØD2	H1	T1	T2	S1	S2	K1 for DIN screw 912				
										R1	R2	B	H2	
PRT-01-30-TO	91	42.5	30	82	21	8x45°	8x45°	M4	4.5	M4	41	29.0	4.5	30.4
PRT-01-60-TO	145	74.0	60	130	23	10x36°	20x18°	M5	5.5	M5	65	51.5	4.5	34.5
PRT-01-100-TO	170	112.0	100	160	25	12x30°	16x22.5°	M5	5.5	M5	80	69.0	5.5	36.0
PRT-01-150-TO	235	165.0	150	220	25	12x30°	16x22.5°	M5	5.5	M5	110	96.5	5.5	37.5
PRT-01-200-TO	285	215.0	200	274	30	12x30°	16x22.5°	M6	7.0	M6	137	124.0	7.0	41.5
PRT-01-300-TO	430	320.0	300	410	30	12x30°	16x22.5°	M8	9.0	M8	205	186.5	8.5	46.5

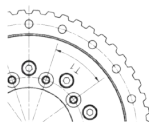
Dimensions in mm



Spur gear
DIN 3967



AT10 pulley



T10 pulley



HTD8M pulley

DISCOUNTS

Qty	1+	5+	10+
Disc.	List	-5%	On request

Part number	Pitch/module	N° of teeth Z	PCD ØP	External diameter ØD	Price each 1 to 4
Tooth profile for Spur gear DIN 3967					
PRT01-30-TO-ST	2	54	108	112	339,28 €
PRT01-60-TO-ST	2	90	180	184	408,54 €
PRT01-100-TO-ST	2	96	192	196	597,65 €
PRT01-150-TO-ST	2	126	252	256	830,59 €
PRT01-200-TO-ST	2	152	304	308	1 044,73 €
PRT01-300-TO-ST	3	152	456	462	2 149,38 €
Tooth profile for AT10 pulley					
PRT01-30-TO-AT10	AT10	34	108,23	108,23	339,28 €
PRT01-60-TO-AT10	AT10	52	165,52	165,52	408,54 €
PRT01-100-TO-AT10	AT10	60	187,30	187,30	597,65 €
PRT01-150-TO-AT10	AT10	80	250,90	250,90	830,59 €
PRT01-200-TO-AT10	AT10	96	301,90	301,90	1 044,73 €
PRT01-300-TO-AT10	AT10	144	352,85	352,85	2 149,38 €
Tooth profile for T10 pulley					
PRT01-30-TO-T10	T10	34	108,23	106,40	339,28 €
PRT01-60-TO-T10	T10	52	165,52	163,80	408,54 €
PRT01-100-TO-T10	T10	60	187,30	189,20	597,65 €
PRT01-150-TO-T10	T10	80	250,90	252,90	830,59 €
PRT01-200-TO-T10	T10	96	301,90	303,90	1 044,73 €
PRT01-300-TO-T10	T10	144	352,85	456,70	2 149,38 €
Tooth profile for HTD8M pulley					
PRT01-30-TO-HTD8M	HTD8M	44	112,05	110,70	339,28 €
PRT01-60-TO-HTD8M	HTD8M	66	168,07	166,70	408,54 €
PRT01-100-TO-HTD8M	HTD8M	74	188,45	187,10	597,65 €
PRT01-150-TO-HTD8M	HTD8M	100	254,65	253,30	830,59 €
PRT01-200-TO-HTD8M	HTD8M	120	305,60	304,30	1 044,73 €
PRT01-300-TO-HTD8M	HTD8M	180	458,36	457,10	2 149,38 €

Dimensions in mm