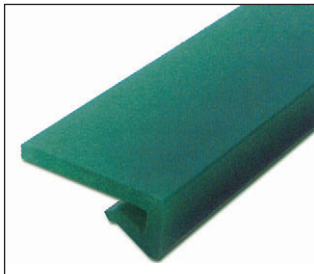


Wear strip for plate chain



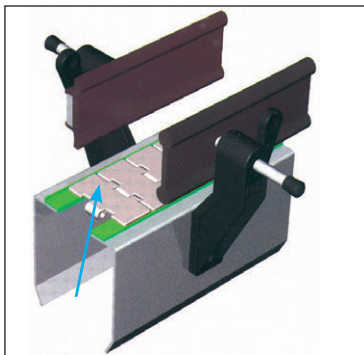
PRL "L" profile wear strip for plate chain

- Wear strip for mounting plate chains, "clip on" mounting
- Can be used with plate thicknesses 1.5 to 3mm
- Material:
Green DESLIDUR Polyethylene (UHMW 1000)

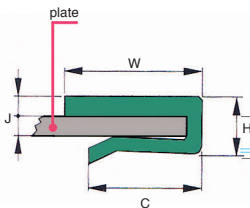


Info.

- Supplied in 50 metre rolls



Typical application



DISCOUNTS

Qty.	1+	5+	10+
Disc.	List	-5%	On request

Part number	W	H	C	J	Weight (kg/m)	Price each 1 to 4
PRL-20C	20	10,5	14,5	3	0,11	210,92 €
PRL-25C	25	10,5	20,0	3	0,12	210,92 €
PRL-40C	40	10,3	20,0	3	0,16	252,29 €

Dimensions in mm