



# Aluminium profile with "extendable slot"

Section: 45x45 mm **MiniTec** PRF4545P

- Profile for creating modular structures
- Slots of the required length can be opened on any face
- To be cut to length once supplied
- Material: anodised aluminium
- Covers are not sold individually, please contact us for details

## Accessories

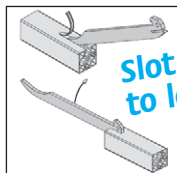
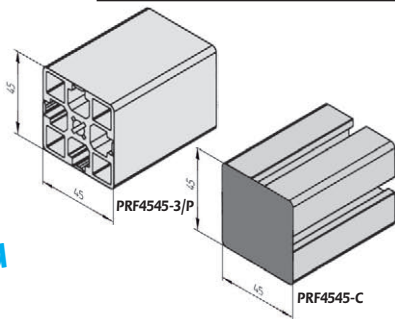
- Universal fastener PRF-FIX-UNI
- Right angle PRF19-E, PRF25-E, PRF45-E, PRF4590-E
- Standard fastener PRF-FIX-STD
- Screwed-in assemblies

## Tools

- Stripper PRF-TOOL-OR
- Trimmer PRF-TOOL-EB

## Uses

- All types of construction, especially where strict hygiene rules must be adhered to, such as the food or pharmaceutical industries
- Central of the profile can be used as a channel for a counterweight



Slot opened to length

## DISCOUNTS profile DISCOUNTS cover

Qty.	1+	5+	10+
Disc.	List -5%		On request

Qty.	1+	50+	100+
Disc.	List -5%		On request

Part number	lx (cm <sup>4</sup> )	ly (cm <sup>4</sup> )	Length (mm)	Weight (kg/m)	Stock*	Price each
<b>Profile</b>						
PRF4545-3/P	14,095	14,095	3000	2,01	✓	86,30 €
<b>Cover</b>						
PRF4545-C		End cap			✓	0,98 €
PRF45-EG		Fixing cover			✓	0,67 €
<b>Tools</b>						
PRF-TOOL-OR		Stripper			✓	24,05 €
PRF-TOOL-EB		Deburring tool			-	125,14 €

\*Depending on availability - Dimensions in mm