

Section: 45x32 mm

MiniTecPRF4532

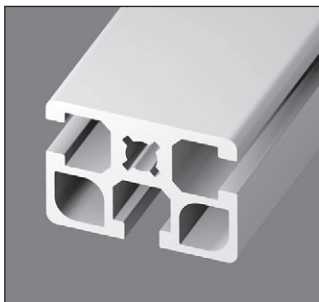
- Profile for creating modular structures
- To be cut to length once supplied
- Material: anodised aluminium
- Covers are not sold individually, please contact us for details

Accessories

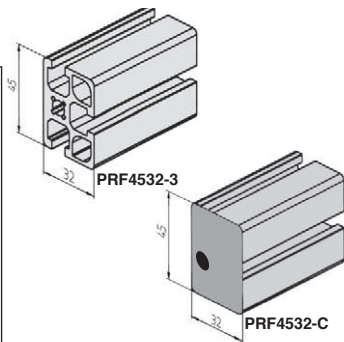
- Universal fastener PRF-FIX-UNI
- Right angle PRF19-E, PRF25-E, PRF45-E, PRF4590-E
- Standard fastener PRF-FIX-STD
- Screwed-in assemblies

Uses

- All types of construction, one side of the profile is covered
- Tables, supports,
- Sliding doors
- Linear guidance



Typical application



DISCOUNTS profile DISCOUNTS cover

Qty.	1+	5+	10+
Disc.	List -5%		On request

Qty.	1+	50+	100+
Disc.	List -5%		On request

Part number	lx (cm ²)	ly (cm ²)	Length (mm)	Weight (kg/m)	Stock*	Price each
Profile						
PRF4532-3	10,182	6,492	3000	1,588	✓	83,89 €
Cover						
PRF4532-C		End cover with pin			✓	1,33 €

*Depending on availability - Dimensions in mm