

Standard aluminium profile

Stock

PRF3232 **MiniTec**

Section: 32x32 mm

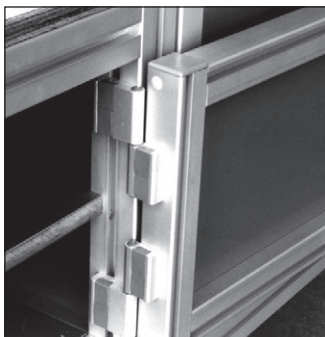
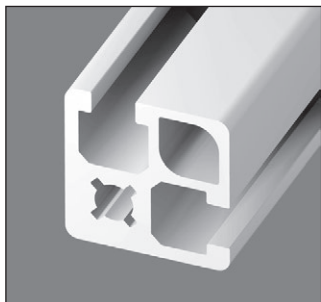
- Profile for creating modular structures
- To be cut to length once supplied
- Material: anodised aluminium
- Covers are not sold individually, please contact us for details

Accessories

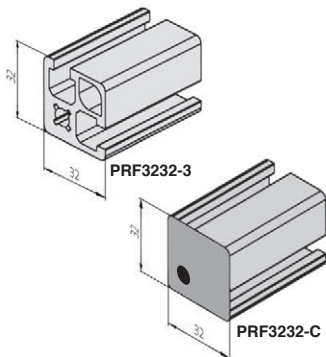
- Universal fastener PRF-FIX-UNI
- Right angle PRF19-E
- Standard fastener PRF-FIX-STD
- Screwed-in assemblies

Uses

- Light supports
- Handles
- Detector and switch support
- Frames



Typical application



DISCOUNTS profile DISCOUNTS cover

Qty.	1+	5+	10+
Disc.	List -5%	On request	

Qty.	1+	50+	100+
Disc.	List -5%	On request	

Part number	lx (cm')	ly (cm')	Length (mm)	Weight (kg/m)	Stock*	Price each
Profile						
PRF3232-3	4,824	4,824	3000	1,288	✓	61,80 €
Cover						
PRF3232-C		End cover with pin			✓	1,14 €

*Depending on availability - Dimensions in mm