

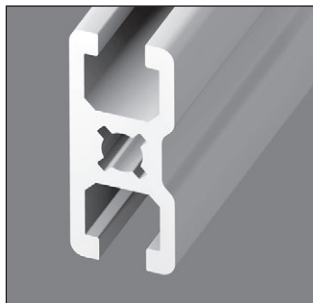
- Profile for creating modular structures
- To be cut to length once supplied
- Material: anodised aluminium
- Covers are not sold individually, please contact us for details

Accessories

- Universal fastener PRF-FIX-UNI
- Right angle PRF19-E
- Standard fastener PRF-FIX-STD
- Screwed-in assemblies

Uses

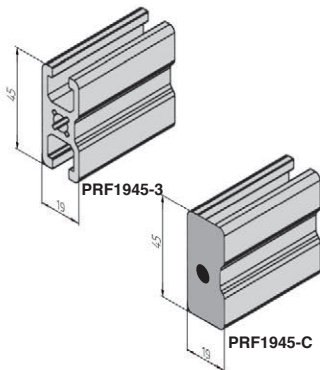
- Light supports
- Handles
- Detector and switch supports
- Frames



Typical application



Typical application



DISCOUNTS profile DISCOUNTS cover

Qty.	1+	5+	10+
Disc.	List -5%	On request	

Qty.	1+	50+	100+
Disc.	List -5%	On request	

Part number	lx (cm ²)	ly (cm ²)	Length (mm)	Weight (kg/m)	Stock*	Price each
Profile						
PRF1945-3	6,051	1,83	3000	1,087	✓	59,19 €
Cover						
PRF1945-C		End cover with pin			✓	0,98 €

*Depending on availability - Dimensions in mm