

Standard aluminium profile

Stock

PRF1932 **MiniTec**

Section: 19x32 mm

- Profile for creating modular structures
- To be cut to length once supplied
- Material: anodised aluminium
- Covers are not sold individually, please contact us for details

Accessories

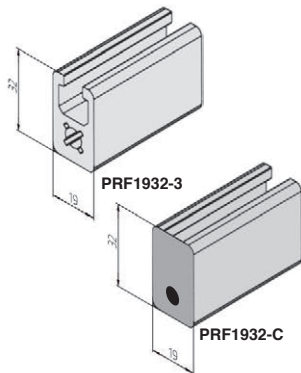
- Universal fastener PRF-FIX-UNI
- Right angle PRF19-E
- Standard fastener PRF-FIX-STD
- Screwed-in assemblies

Uses

- Light supports
- Handles
- Detector and switch supports
- Frames



Typical application



DISCOUNTS profile DISCOUNTS cover

Qty.	1+	5+	10+
Disc.	List	-5%	On request

Qty.	1+	50+	100+
Disc.	List	-5%	On request

Part number	lx (cm')	ly (cm')	Length (mm)	Weight (kg/m)	Stock*	Price each
Profile						
PRF1932-3	3,105	1,527	3000	0,987	✓	52,12 €
Cover						
PRF1932-C		End cover with pin			✓	0,93 €

*Depending on availability - Dimensions in mm