

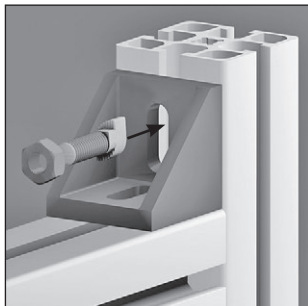
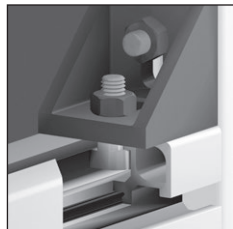
- Screws can be inserted at any point along the slot in the profile.
- Material: zinc plated steel
- **Not sold individually, contact us for details**

Advantages

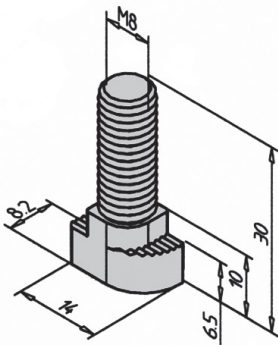
- Hammerhead screws are a simple way of adding components or accessories onto profiles that have already been assembled

Assembly

- Place the screw in the slot at the required position, mount the accessory to be added and tighten the M8 nut
- Tightening the nut causes the screw to become perpendicular to the slot.



Typical application



DISCOUNTS

Qty.	1+	50+	100+
Disc.	List -5%	On request	

Part number	Type	Weight (kg)	Stock*	Price each 1 to 49
PRF-VTM-M8	Hammerhead screw	0,012	✓	1,02 €

*Depending on availability - Dimensions in mm