

Support for Ø18 or Ø20mm Prox detectors

Suitable for use with
aluminium profiles

MiniTec PRFSDD

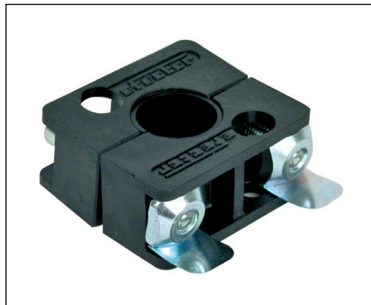
- Suitable for all Ø18 or Ø20mm proximity detectors
- Fixing kit supplied
- Material: black plastic

Use

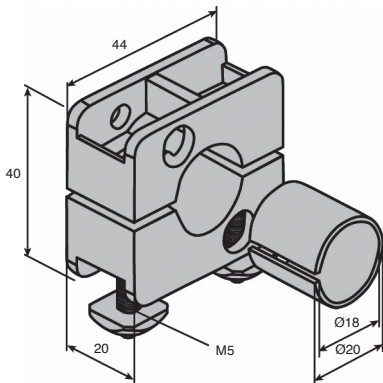
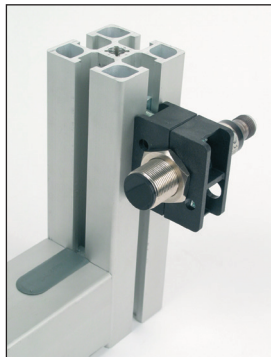
- Allows an Ø18 or Ø20mm proximity detector to be mounted on a profile or linear guide

Assembly

- Mounts in the slot of a profile using the fixing kit supplied



Typical application



DISCOUNTS

Qty.	1+	50+	100+
Disc.	List -5%	On request	On request

Part number

PRF-SDD-18/20

Weight (g)

50

Stock*



Price each
1 to 49

5,58 €

*Depending on availability - Dimensions in mm