

Support for Ø12mm Prox detector

PRF_{SDD} **MiniTec**

Suitable for use with aluminium profiles

- Suitable for all Ø12mm proximity detectors
- Fixing kit supplied
- Material: black plastic

Use

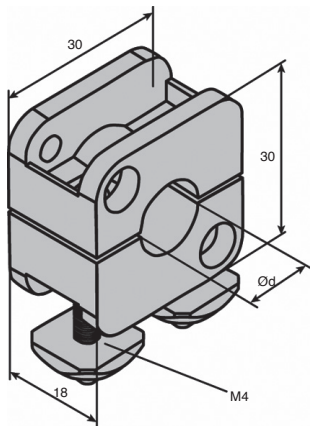
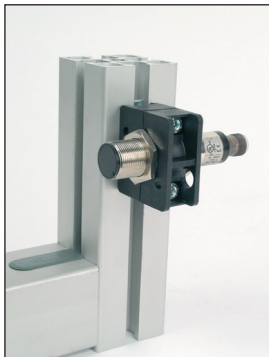
- Allows a Ø12mm proximity detector to be mounted on a profile or linear guide

Assembly

- Mounts in the slot of a profile using the fixing kit supplied.



Typical application



DISCOUNTS

| | | | |
|-------|----------|------------|------|
| Qty. | 1+ | 50+ | 100+ |
| Disc. | List -5% | On request | |

| Part number | Ød | Weight (g) | Stock* | Price each 1 to 49 |
|-------------|----|------------|--------|-----------------------|
| PRF-SDD-12 | 12 | 40 | ✓ | 4.57 € |

*Depending on availability - Dimensions in mm