

Coupling bar for aluminium profile

MiniTecPRFRR

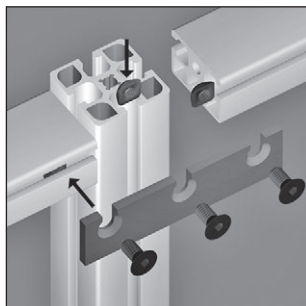
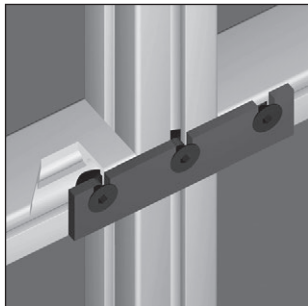
- Supplied with fixing kit
- Material:
electroplated steel

Advantages

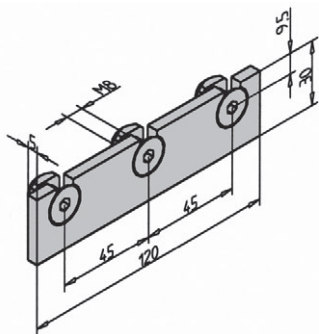
- Allows profiles of different sections to be joined together
- Can also be used to add additional profiles

Assembly

- Attach the bar to the slot with the fixing kit
- No preparation necessary



Assembly example



DISCOUNTS

Qty.	1+	50+	100+
Disc.	List	-5%	On request

Part number	Type	Weight (kg)	Price each 1 to 49
PRF-RR-120	Coupling bar	0,103	7,38 €

Dimensions in mm