



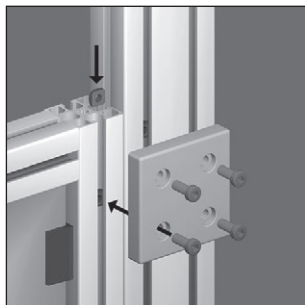
Joining plate for aluminium profile

For joining pre-assembled **MiniTec** PRFPL structures

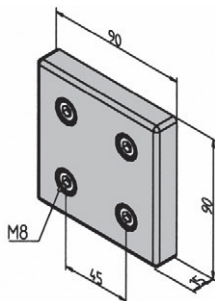
- For joining two structures together
- Ensures rigid and stable installation of protective barriers
- Mounting kit supplied
- Material:
Grey powder coated aluminium GD

Assembly

- Use the fixing kit to attach to the mounting slot on the protective panel and the slot on the support profile



Typical assembly



DISCOUNTS

Qty.	1+	50+	100+
Disc.	List -5%	On request	

Part number	Weight (kg)	Stock*	Price each 1 to 49
PRF-PL-9090	0,33	✓	8,51 €

*Depending on availability - Dimensions in mm