

Anchoring bracket for aluminium profile

PRFPF **MiniTec**

- Supplied without fixing kit
- Material: grey powder covered steel

Uses

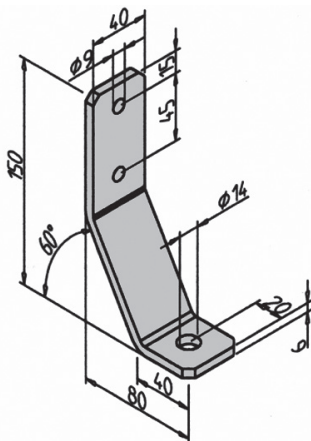
- Used to anchor a structure to the floor or wall

Assembly

- Attaches to profile using M8 x 20mm screws.
- Attaches to floor or wall using anchoring system
- Can be added to existing structures



Typical application



DISCOUNTS

Qty.	1+	50+	100+
Disc.	List -5%	On request	

Part number	Type	Weight (kg)		Price each
PRF-PF-150	Anchor bracket	0,355	✓	1 to 49 13,34 €

*Depending on availability - Dimensions in mm