

Angle plate for aluminium profile

PRFPA **MiniTec**

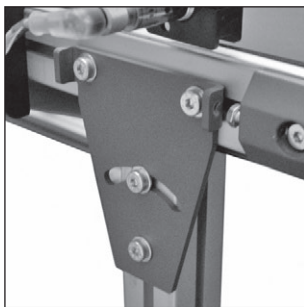
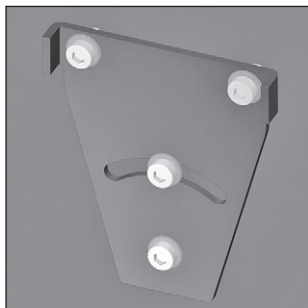
- Supplied with fixing kit
- Material:
covered steel

Uses

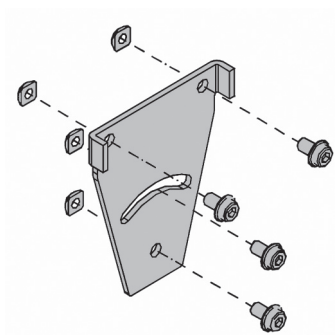
- Attaches support bases to the conveyor of a chassis
- Can also be used with slope conveyors
- Range +/- 35°

Assembly

- Attach to the side of the conveyor chassis and to the bases using the fixing kit



Typical application



DISCOUNTS

Qty.	1+	50+	100+
Disc.	List -5%	On request	

Part number	Type	Weight (kg)	Price each 1 to 49
PRF-PA	Angle plate	0,377	22,04 €

Dimensions in mm