

Lip seal for panel

For 4mm thick panels

MiniTecPRFJL

- Material: black EPDM AGV
- Seal sold by the metre

Uses

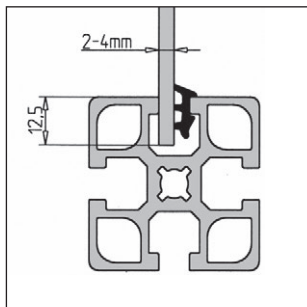
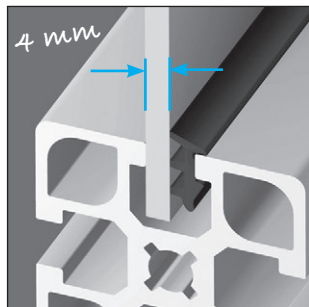
- For supporting and sealing 2-4mm thick panels in profile slots
- Can be used with acrylic or polycarbonate panels

Assembly

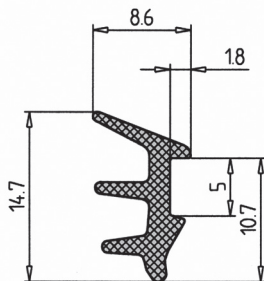
- Place the panel in the profile slot
- Insert the lip seal
- Press seal into place with suitable blunt tool

Info.

- Max length available 200m
- Panels: Add 25mm to height and width of aperture to ensure panel will be supported correctly



Assembly example



DISCOUNTS

Qty.	1+	50+	100+
Disc.	List -5%	On request	

Part number	Type	Weight (kg/m)	Price per metre
PRF-JL-4	Lip seal	0,065	2,17 €

Dimensions in mm