

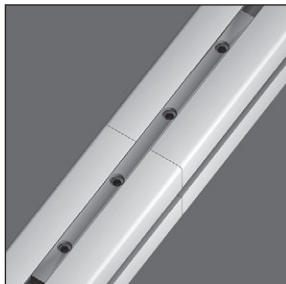
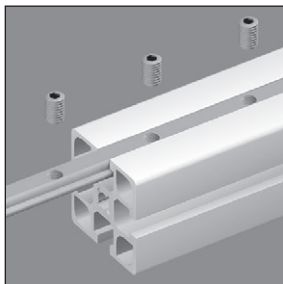
- Material: electroplated steel
- 4 electroplated M8 x14mm grub screws (use SW4 hexagonal key or PRF-TOOL-H4 tool)

Uses

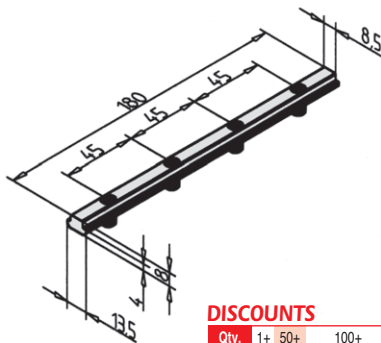
- For but joining profiles.
- For creating longer profiles

Assembly

- Simply twist into slot in profile
- No preparation required
- For long profiles or to support heavier loads, use more joining bars.



Typical application



DISCOUNTS

Qty.	1+	50+	100+
Disc.	List -5%	On request	

Part number	Type	Weight (kg)	Stock*	Price each 1 to 49
PRF-ER-180	Joining bar	0,12	✓	10,79 €

*Depending on availability - Dimensions in mm