

Cable clip

Also used with cable cover
PRF45-GOU-3

MiniTec PRFCLIP

- Material: grey PA6 polyamide

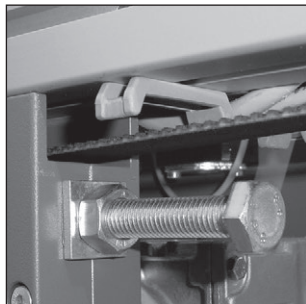
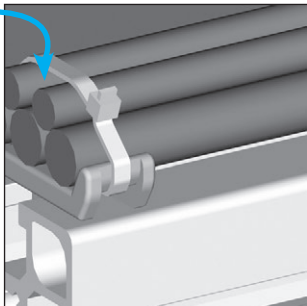
LAS link

Uses

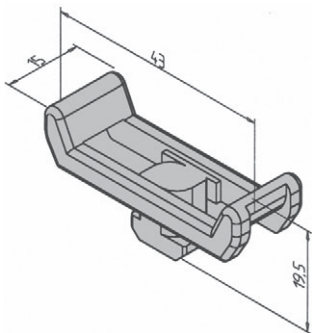
- For attaching electrical cables and pneumatic tubing
- Can also be used to secure the PRF45-GOU-3 cable cover

Assembly

- Insert the clip into the profile and make a quarter-turn to secure it in place
- Insert a suitably sized LAS cable tie, position the cable/tube and fully tighten the cable tie, removing the excess material.



Typical application



DISCOUNTS

Qty.	1+	50+	100+
Disc.	List -5%	On request	

Part number	Type	Weight (kg)	Stock*	Price each 1 to 49
PRF-CLIP-45	Cable clip	0,004	✓	1,96 €

*Depending on availability - Dimensions in mm