

Clamp for aluminium profile

Stock

PRFBR **MiniTec**

- Supplied with fixing kit

- Material:

Anodised aluminium

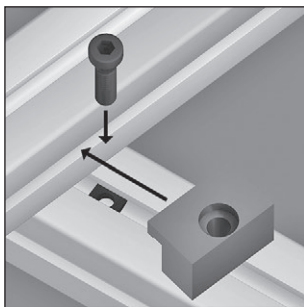
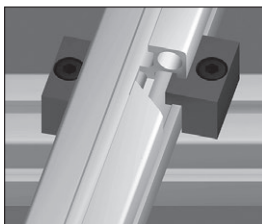
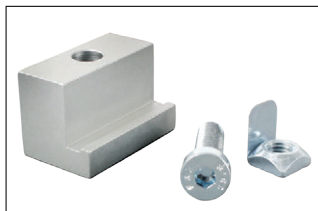
Use

- Use the slots on two profiles to connect them at any angle

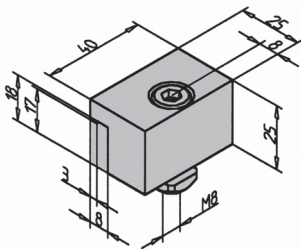
Assembly

- Attach the clamp to the slot of the first profile and then tighten the second

- No preparation required



Typical application



DISCOUNTS

Qty.	1+	50+	100+
Disc.	List -5%	On request	

Part number	Type	Weight (kg)	Stock*	Price each 1 to 49
PRF-BR	Clamp	0,069	✓	8,90 €

*Depending on availability - Dimensions in mm