

Clamping plate and manoeuvring knob OP_{FL} OP_{PM}

Clamping plate

- Placed on the back of the indicator.
- Allows shaft to be blocked in desired position
- Can be secured in positions **A** or **B**.
- Materials: Zirtel® and zamak

Manoeuvring knob

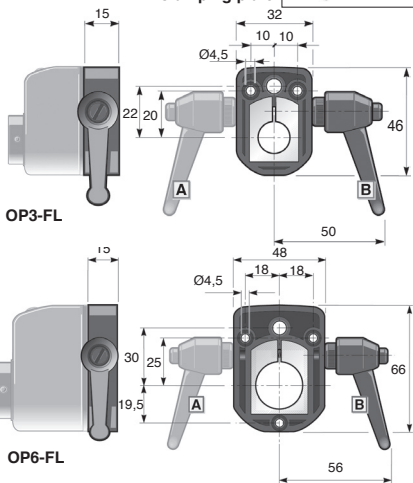
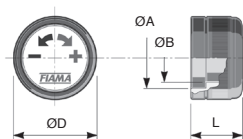
- The knob attaches directly to the indicator shaft
- Allows manual operation of the position indicator
- An adhesive sticker attached to the knob indicates the direction in which to turn to increase or decrease the displayed value
- Material: anodised black aluminium



OP-FL
Clamping plate



Manual control knob OP-PM



OP3-FL

OP6-FL

DISCOUNTS

Qty.	1+	5+	10+	15+	25+
Disc.	List	-6%	-12%	-20%	On request

Part number	ØD	ØA	ØB	L	Stock*	Price each 1 to 4
Clamping plate						
OP3-FL	-	-	-	15,0	✓	63,40 €
OP6-FL	-	-	-	15,0	✓	63,40 €
Manual control knob						
OP3-PM	31,8	20	16	17,5	✓	25,38 €
OP6-PM	44,0	30	26	27,5	✓	30,14 €

*Depending on availability