

# Articulated clamp



## NSA

## For rod or tube

- Holds cylindrical sections (rods, tubes...)

- With wing nut

- Materials:

Wing knob: thermosetting plastic

Colour: dark grey

Clamp: high-resistance anodised aluminium

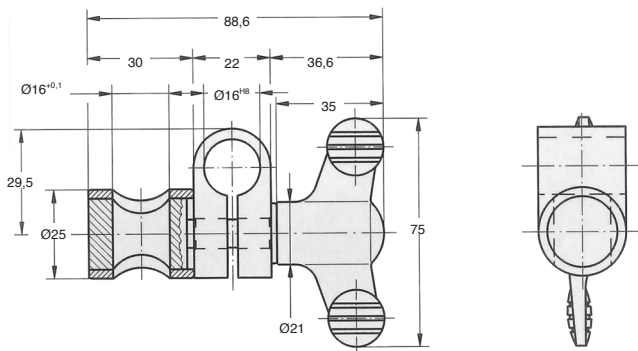
Bar and socket: shiny polished chrome-finished steel



### Advantages

- Adjustable without bearing

- Wing nut style knob means quickly tightened



### DISCOUNTS

Qty.	1+	10+	30+
Disc.	List -5%	On request	

Part number	For shaft	Weight (kg)	Stock*	Price each 1 to 9
NSA-16	Ø16	0,150	✓	52,16 €

\*Depending on availability - Dimensions in mm