

Adjustable cross clamp



NPTR Standard version for 10mm + 12mm rod

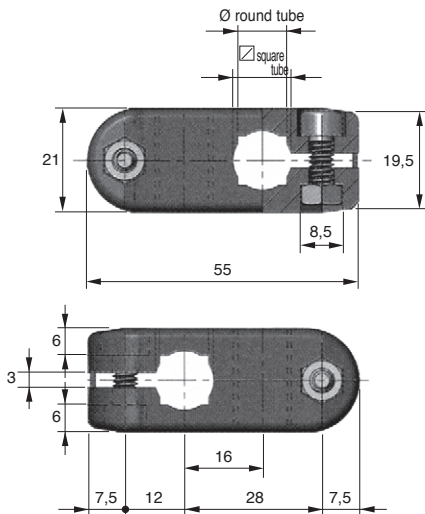
- For $\varnothing 10 + \varnothing 12$ round tubes or 8mm + 10mm square rods

- Materials:

Reinforced polyamide / Screws: stainless steel

Info.

- Not sold individually, please contact us for details



DISCOUNTS

Qty	1+	25+	50+
Disc.	List -10% On request		

Part number	\varnothing round tube	\square square tube	Weight (kg)	Stock*	Price each 1 to 24
NPTR10-10	10	8	0,03	✓	5,04 €
NPTR12-12	12	10	0,03	✓	5,04 €

*Depending on availability - Dimensions in mm