

# Spring loaded latch

**Bra**

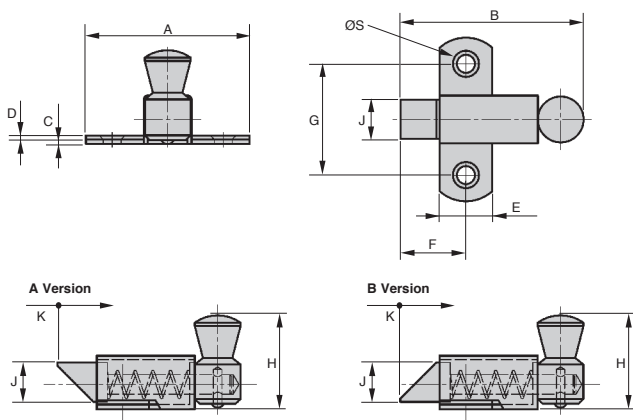
**LRR**

Plated steel or chromed brass

- **Night latch**
- Inward/outward opening versions available (A+ B versions)
- Materials : Plated steel or chromed brass

## Info.

- Part N° LRR-50-A/LC replaces the old reference LRR-50



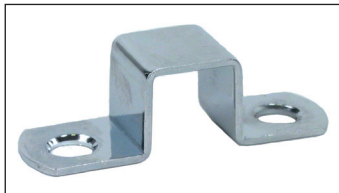
## DISCOUNTS

Qty.	1+	51+	101+
Disc.	List -10%	On request	

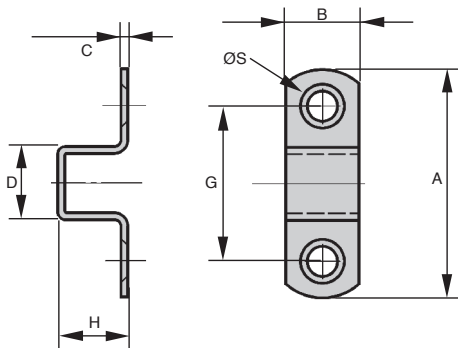
Part number	A	B	C	D	E	F	G	H	J	K	ØS	Material	Weight (g)	Stock*	Price each 1 to 50	
<b>Version A</b>																
LRR-50-A/ZN	50	56	1,5	1,2	16	20	34	27	12	12	4	Steel	71	✓	18,57 €	
LRR-50-A/LC	50	56	1,5	1,2	16	20	34	27	12	12	4	Brass	75	✓	25,05 €	
<b>Version B</b>																
LRR-50-B/ZN	50	56	1,5	1,2	16	20	34	27	12	12	4	Steel	71	✓	18,57 €	
LRR-50-B/LC	50	56	1,5	1,2	16	20	34	27	12	12	4	Brass	75	-	39,69 €	

\*Depending on availability

- Catch for sprung latch LRR
- Materials : Plated steel or chromed brass



INCREASED  
STOCK



## DISCOUNTS

Qty.	1+	51+	101+
Disc.	List	-10%	On request

Part number	A	B	C	D	G	H	ØS	Material	Weight (g)	Stock*	Price each 1 to 50
LRR-50-GPV/ZN	50	16	1,5	16	34	16	4	Steel	12	✓	2,75 €
LRR-50-GPV/LC	50	16	1,5	16	34	16	4	Brass	13	✓	6,54 €

\*Depending on availability