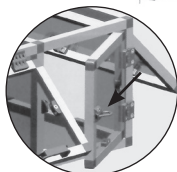
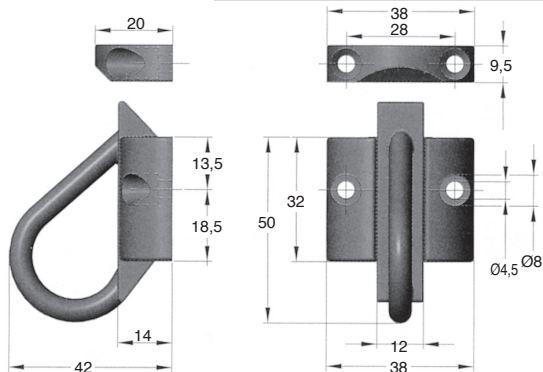


- Accessory for square tube structure
- Material: reinforced polyamide

Accessories

- Hinge **CHA**
- Doorstop **BLOC**



Typical application

DISCOUNTS

Qty	1+	50+	100+
Disc.	List	-5%	On request

Part number	Weight (kg)	Stock*	Price each 1 to 49
LOQ-MAN	0,01	✓	7,86 €

*Depending on availability - Dimensions in mm