

Conical elasto buffer for foodstuff sector



E-KONBLU

Female mounting

- Rubber buffer suitable for use in the food industry

- FDA compliant

- Materials :

Frame: 316 stainless steel

Cylinder: FDA-compliant blue silicon

- Medium hardness, Shore 55A

- Temperature range : -30 °C to +180 °C

stainless steel

NEW!

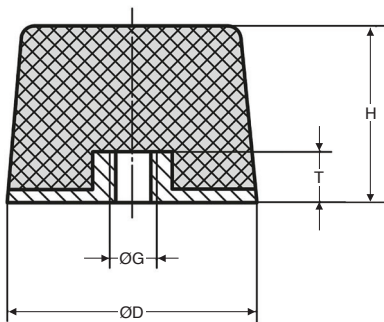
For foodstuff industry



Applications

- End stop

- Supporting foot



DISCOUNTS

Qty	1+	6+	20+	40+
Disc.	List	10%	-20%	On request

Part number	ØG	ØD	H	T	Stiffness (N/mm)	Load (N)	Price each 1 to 5
E-KON6-25-17/SS/BLU	M6	25	17	6	102	571	
E-KON8-30-15/SS/BLU	M8	30	15	8	185	1036	
E-KON10-50-17/SS/BLU	M10	50	17	10	677	3554	

Dimensions in mm



Conical elasto buffer for foodstuff sector

Male mounting

D-KONBLU

- Rubber buffer suitable for use in the food industry
- FDA compliant
- Materials:
 - Frame: 316 stainless steel
 - Cylinder: FDA-compliant blue silicon
- Medium hardness, Swhore 55A
- Temperature range: -30 °C to +180 °C

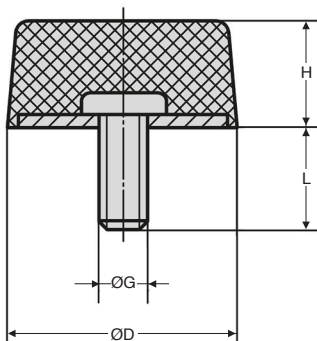
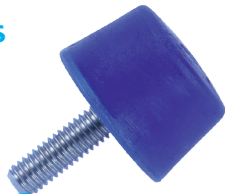
Applications

- End stop
- Supporting foot

stainless steel

NEW!

For foodstuff industry



DISCOUNTS

Qty	1+	6+	20+	40+
Disc.	List	10%	-20%	On request

Part number	ØG	ØD	H	L	Stiffness (N/mm)	Load (N)	Price each 1 to 5
D-KON6-25-17/SS/BLU	M6	25	17	18	80	448	
D-KON8-30-15/SS/BLU	M8	30	15	20	265	1530	
D-KON10-50-17/SS/BLU	M10	50	17	28	640	3584	

Dimensions in mm