

New

Right angle gearbox

Torque up to 182 Nm**HLC28**

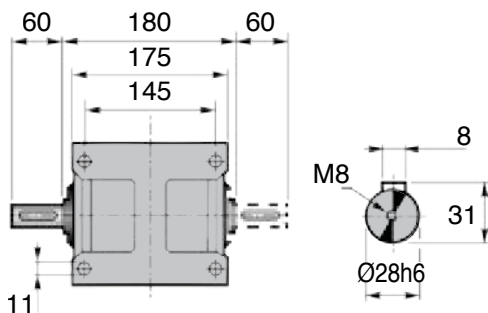
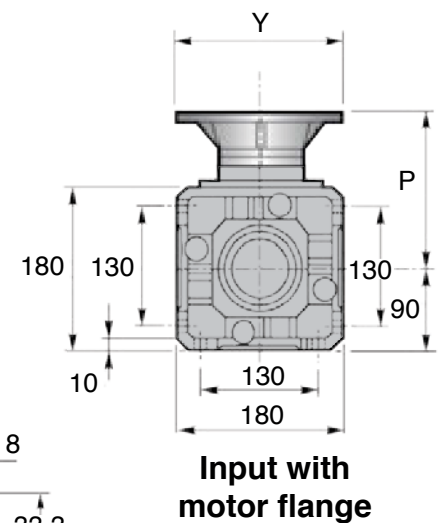
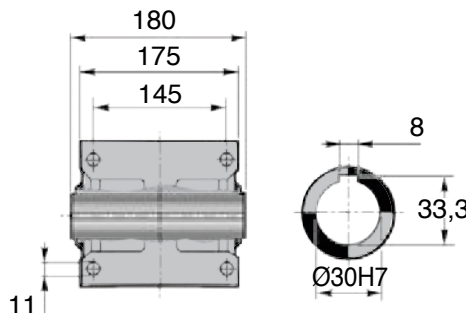
- **Right angle bevel gearbox**
- Max speed 1,400 rpm
- Output backlash: 12' to 20'
- Materials:
 - Components: steel
 - Case: cast iron
- Thermal power: 10.3 kW (Heat dissipation capability)

Part number

- When ordering, specify the rotation direction and mounting position by replacing **E** and **B3** in the Part number (see presentation page)

Input flange

- The following flanges are available: 63B5, 71B5, 80B5, 90B5 and 80B14 and the reference should be added to the Part number

**Single output shaft S or dual shafts B****Hollow output shaft C**

Input flange

IEC	80/90B5	100/112B5	132B5
Y	200	250	300
P	171	181	203

DISCOUNTS

Qty	1+	2+	4+
Disc.	List	-5%	On request

Part number	Ratio	Output shaft	Max output speed (rpm)	Mechanical output torque* (Nm)	Weight (kg)	Price each
HLC28-1-C-80B5-E-B3	1:1	hollow	1400	146	33	906,18 €
HLC28-2-C-80B5-E-B3	2:1	hollow	700	145	33	906,18 €
HLC28-3-C-80B5-E-B3	3:1	hollow	467	182	33	906,18 €
HLC28-1-S-80B5-E-B3	1:1	single	1400	146	33	824,81 €
HLC28-2-S-80B5-E-B3	2:1	single	700	145	33	824,81 €
HLC28-3-S-80B5-E-B3	3:1	single	467	182	33	824,81 €
HLC28-1-B-80B5-E-B3	1:1	dual	1400	146	33	1 429,74 €
HLC28-2-B-80B5-E-B3	2:1	dual	700	145	33	1 429,74 €
HLC28-3-B-80B5-E-B3	3:1	dual	467	182	33	1 429,74 €

*For maximum torque and a service factor applied, see presentation page - Dimensions in mm

Fax: ^{0,15€ TTC/min} **0325 88 6000**

cial2@hpceurope.com

HPC

New products 2015

151