

Right angle gearbox

New

HLC24

Torque up to 78 Nm

- Right angle bevel gearbox
- Max speed 1,400 rpm
- Output backlash: 12' to 20'
- Materials:
 - Components: steel
 - Case: cast iron
- Thermal power: 6.7 kW (Heat dissipation capability)

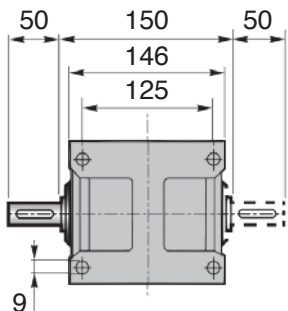
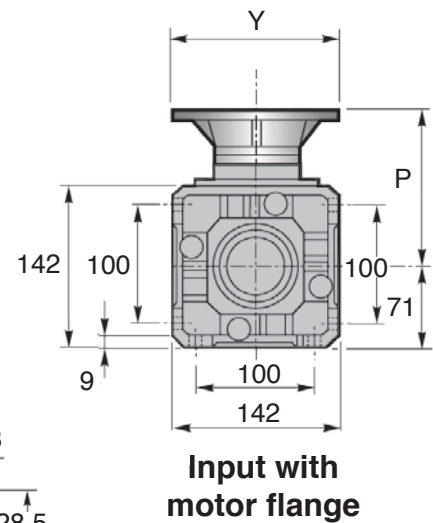


Part number

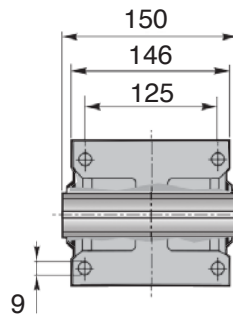
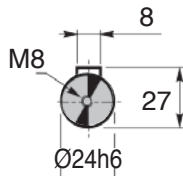
- When ordering, specify the rotation direction and mounting position by replacing **E** and **B3** in the Part number (see presentation page)

Input flange

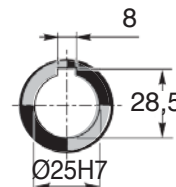
- The following flanges are available: 63B5, 71B5, 80B5, 90B5 and 80B14 and the reference should be added to the Part number



Single output shaft S or dual shafts B



Hollow output shaft C



Input flange

IEC	71B5	80B5	90B5	100/112B5
Y	160	200	200	250
P	128	148	148	158

DISCOUNTS

Qty	1+	2+	4+
Disc.	List	-5%	On request

Part number	Ratio	Output shaft	Max output speed (rpm)	Mechanical output torque* (Nm)	Weight (kg)	Price each
HLC24-1-C-71B5-E-B3	1:1	hollow	1400	73	19	623,85 €
HLC24-2-C-71B5-E-B3	2:1	hollow	700	72	19	623,85 €
HLC24-3-C-71B5-E-B3	3:1	hollow	467	78	19	623,85 €
HLC24-1-S-71B5-E-B3	1:1	single	1400	73	19	590,56 €
HLC24-2-S-71B5-E-B3	2:1	single	700	72	19	590,56 €
HLC24-3-S-71B5-E-B3	3:1	single	467	78	19	590,56 €
HLC24-1-B-71B5-E-B3	1:1	dual	1400	73	19	639,88 €
HLC24-2-B-71B5-E-B3	2:1	dual	700	72	19	639,88 €
HLC24-3-B-71B5-E-B3	3:1	dual	467	78	19	639,88 €

*For maximum torque and a service factor applied, see presentation page - Dimensions in mm