

Right angle gearbox

New

HLC19

Torque up to 43 Nm

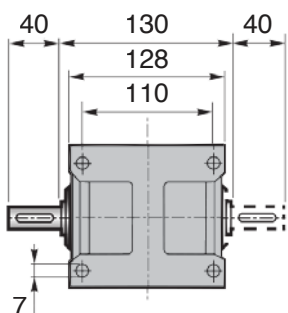
- Right angle bevel gearbox
- Max speed 1,400 rpm
- Output backlash: 12' to 20'
- Materials:
 - Components: steel
 - Case: cast iron
- Thermal power: 4.5 kW (Heat dissipation capability)

Part number

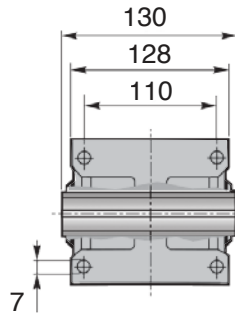
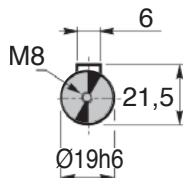
- When ordering, specify the rotation direction and mounting position by replacing **E** and **B3** in the Part number (see presentation page)

Input flange

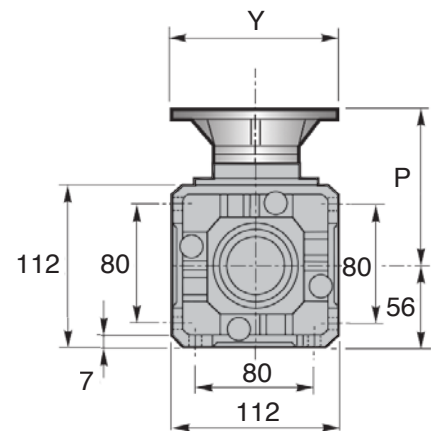
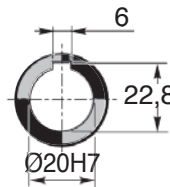
- The following flanges are available: 63B5, 71B5, 80B5, 90B5 and 80B14 and the reference should be added to the Part number



Single output shaft S
or dual shafts B



Hollow output shaft C



Input with
motor flange

Input flange

IEC	63B5	71B5	80/90B5	80B14
Y	140	160	200	120
P	104	111	131	131

DISCOUNTS

Qty	1+	2+	4+
Disc.	List	-5%	On request

Part number	Ratio	Output shaft	Max output speed (rpm)	Mechanical output torque* (Nm)	Weight (kg)	Price each
HLC19-1-C-63B5-E-B3	1:1	hollow	1400	35	11,5	451,24 €
HLC19-2-C-63B5-E-B3	2:1	hollow	700	40	11,5	451,24 €
HLC19-3-C-63B5-E-B3	3:1	hollow	467	43	11,5	451,24 €
HLC19-1-S-63B5-E-B3	1:1	single	1400	35	11,5	450,01 €
HLC19-2-S-63B5-E-B3	2:1	single	700	40	11,5	450,01 €
HLC19-3-S-63B5-E-B3	3:1	single	467	43	11,5	450,01 €
HLC19-1-B-63B5-E-B3	1:1	dual	1400	35	11,5	462,34 €
HLC19-2-B-63B5-E-B3	2:1	dual	700	40	11,5	462,34 €
HLC19-3-B-63B5-E-B3	3:1	dual	467	43	11,5	462,34 €

*For maximum torque and a service factor applied, see presentation page - Dimensions in mm