

Right angle gearbox

New

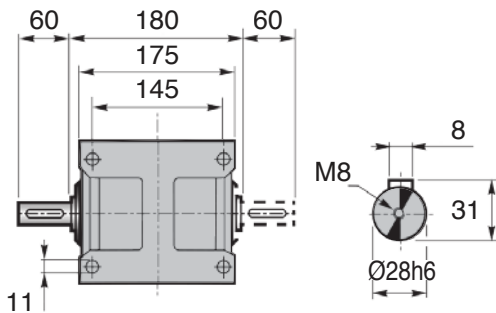
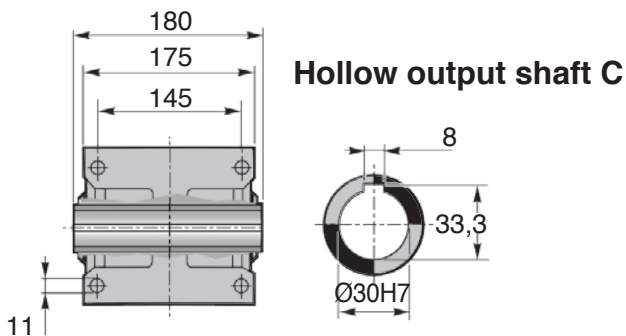
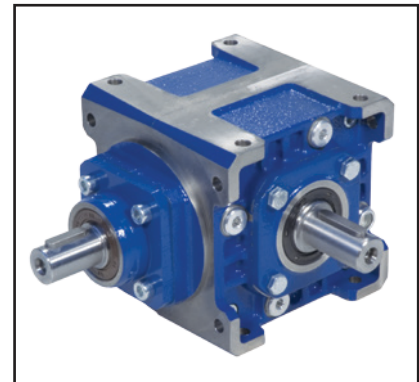
HLA28

Torque up to 182 Nm

- Right angle bevel gearbox
- Max speed 1,400 rpm
- Output backlash: 12' to 20'
- Materials:
 - Components: steel
 - Case: cast iron
- Thermal power: 10.3 kW (Heat dissipation capability)

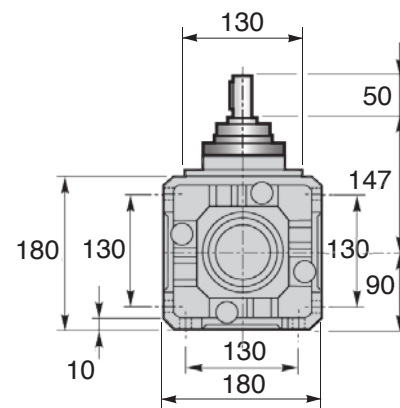
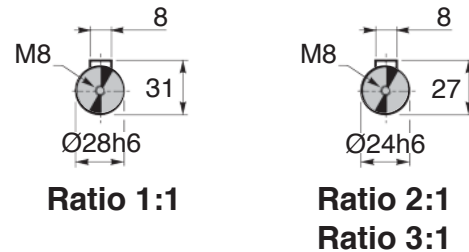
Part number

- When ordering, specify the rotation direction and mounting position by replacing **E** and **B3** in the Part number (see presentation page)



Single output shaft S or dual shafts B

With input shaft



DISCOUNTS

Qty	1+	2+	4+
Disc.	List	-5%	On request

Part number	Ratio	ØInput shaft (h6)	output shaft	Max output speed (rpm)	Mechanical output torque* (Nm)	Weight (kg)	Price each
HLA28-1-C-E-B3	1:1	28	hollow	1400	146	23	784,13 €
HLA28-2-C-E-B3	2:1	24	hollow	700	145	23	784,13 €
HLA28-3-C-E-B3	3:1	24	hollow	467	182	23	784,13 €
HLA28-1-S-E-B3	1:1	28	single	1400	146	23	702,76 €
HLA28-2-S-E-B3	2:1	24	single	700	145	23	702,76 €
HLA28-3-S-E-B3	3:1	24	single	467	182	23	702,76 €
HLA28-1-B-E-B3	1:1	28	dual	1400	146	23	745,91 €
HLA28-2-B-E-B3	2:1	24	dual	700	145	23	745,91 €
HLA28-3-B-E-B3	3:1	24	dual	467	182	23	745,91 €

*For maximum torque and a service factor applied, see presentation page - Dimensions en mm