

Right angle gearbox

New

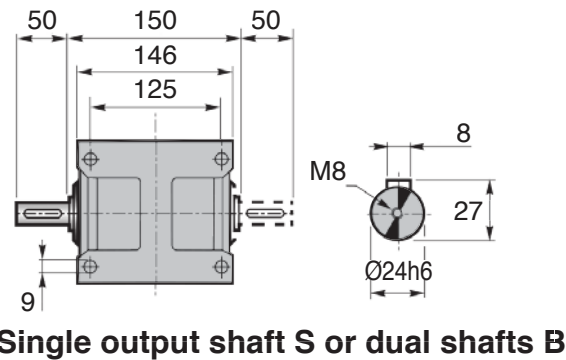
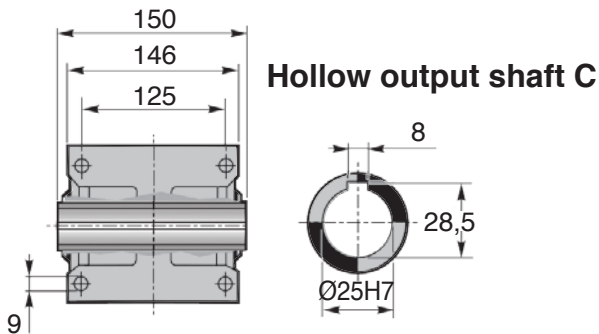
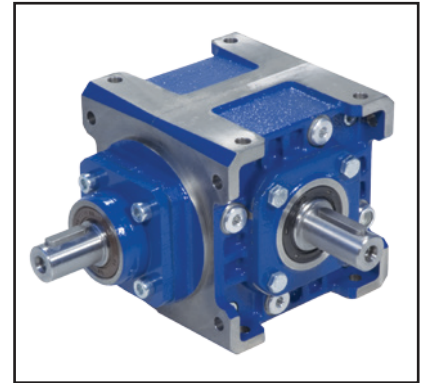
HLA24

Torque up to 78 Nm

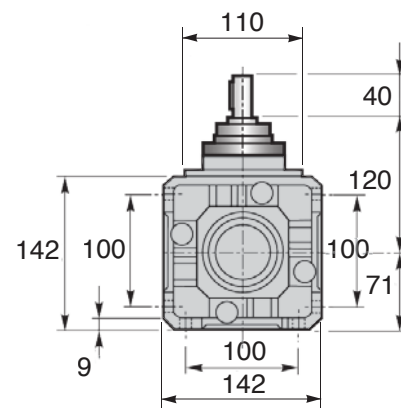
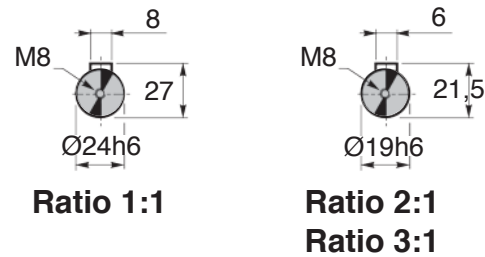
- Right angle bevel gearbox
- Max speed 1,400 rpm
- Output backlash: 12' to 20'
- Materials:
 - Components: steel
 - Case: cast iron
- Thermal power: 6.7 kW (Heat dissipation capability)

Part number

- When ordering, specify the rotation direction and mounting position by replacing **E** and **B3** in the Part number (see presentation page)



With input shaft



DISCOUNTS

Qty	1+	2+	4+
Disc.	List	-5%	On request

Part number	Ratio	Øinput d'entrée (h6)	Input shaft	Max output speed (rpm)	Mechanical output torque* (Nm)	Weight (kg)	Price each
HLA24-1-C-E-B3	1:1	24	hollow	1400	73	14	527,68 €
HLA24-2-C-E-B3	2:1	19	hollow	700	72	14	527,68 €
HLA24-3-C-E-B3	3:1	19	hollow	467	78	14	527,68 €
HLA24-1-S-E-B3	1:1	24	single	1400	73	14	494,39 €
HLA24-2-S-E-B3	2:1	19	single	700	72	14	494,39 €
HLA24-3-S-E-B3	3:1	19	single	467	78	14	494,39 €
HLA24-1-B-E-B3	1:1	24	dual	1400	73	14	525,22 €
HLA24-2-B-E-B3	2:1	19	dual	700	72	14	525,22 €
HLA24-3-B-E-B3	3:1	19	dual	467	78	14	525,22 €

*For maximum torque and a service factor applied, see presentation page - Dimensions en mm