

Right angle gearbox

New

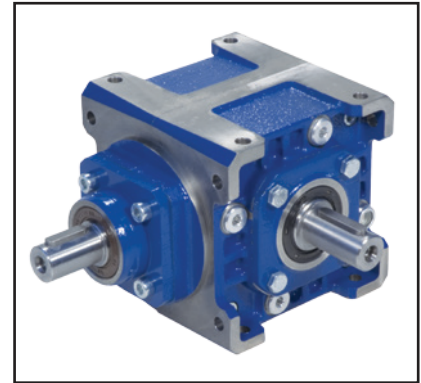
HLA19

Torque up to 43 Nm

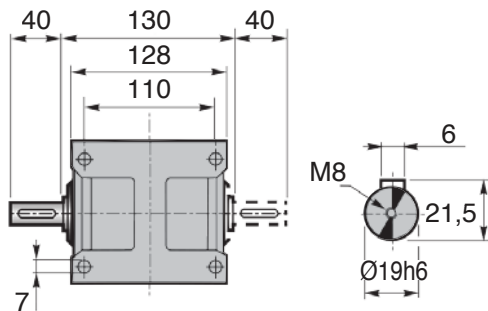
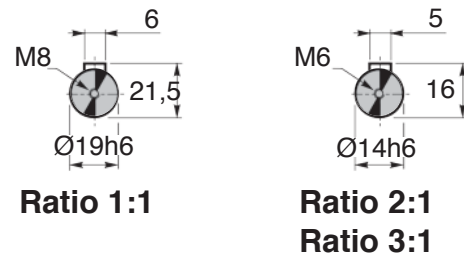
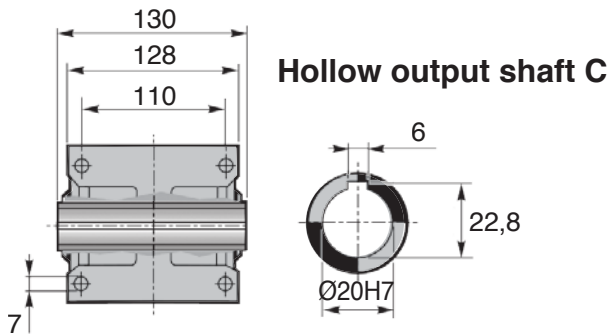
- Right angle bevel gearbox
- Max speed 1,400 rpm
- Output backlash: 12' to 20'
- Materials:
 - Components: steel
 - Case: cast iron
- Thermal power: 4.5 kW (Heat dissipation capability)

Part number

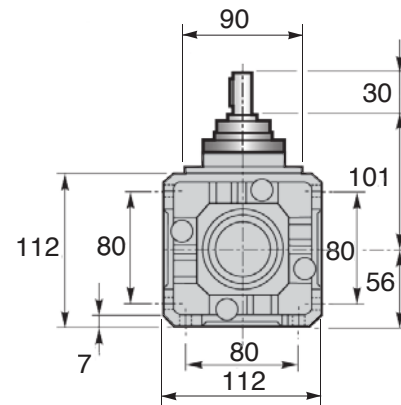
- When ordering, specify the rotation direction and mounting position by replacing **E** and **B3** in the Part number (see presentation page)



With input shaft



Single output shaft S or dual shafts B



DISCOUNTS

Qty	1+	2+	4+
Disc.	List	-5%	On request

Part number	Ratio	Ø input shaft (h6)	Output shaft	Max output speed (rpm)	Mechanical output torque (Nm)	Weight (kg)	Price each
HLA19-1-C-E-B3	1:1	19	hollow	1400	35	8,5	378,49 €
HLA19-2-C-E-B3	2:1	14	hollow	700	40	8,5	378,49 €
HLA19-3-C-E-B3	3:1	14	hollow	467	43	8,5	378,49 €
HLA19-1-S-E-B3	1:1	19	single	1400	35	8,5	377,27 €
HLA19-2-S-E-B3	2:1	14	single	700	40	8,5	377,27 €
HLA19-3-S-E-B3	3:1	14	single	467	43	8,5	377,27 €
HLA19-1-B-E-B3	1:1	19	dual	1400	35	8,5	389,60 €
HLA19-2-B-E-B3	2:1	14	dual	700	40	8,5	389,60 €
HLA19-3-B-E-B3	3:1	14	dual	467	43	8,5	389,60 €

*For maximum torque and a service factor applied, see presentation page - Dimensions en mm